

TECHNICAL MANUAL

EN | ES

# BLUE PAPER MX JUNIOR

MX12 / MX16 / MX20 / MX24

2021

**ORBEA**



# INDEX

EN P.03 | ES P.38

<b>01 INTRODUCTION</b>	<b>4</b>
Key to symbols	
<b>02 ORBEA WARRANTY</b>	<b>6</b>
<b>03 MAINTENANCE</b>	<b>8</b>
Maintenance schedule of the components	
Replacement parts	
After a crash or an impact	
<b>04 USE WARNING</b>	<b>11</b>
Intended use	
<b>05 GEOMETRY AND SIZING</b>	<b>14</b>
<b>06 TECHNICAL SPECIFICATIONS</b>	<b>16</b>
<b>07 ASSEMBLY AND SPARES</b>	<b>18</b>
Headset	
Axles and rear derailleur hanger	
Frame hardware	
Digit seatpost	
Handlebar	
Chainguide-chain cover	
Mx16 stabilisers	
Mudguards	
Kickstand	
Bottle holder	
Cabling	
<b>08 SUSPENSION</b>	<b>33</b>
<b>09 DECLARATION OF CONFORMITY</b>	<b>34</b>
<b>10 ADDITIONAL INFORMATION</b>	<b>36</b>

## 01 INTRODUCTION

This technical manual contains important information about your bicycle, its use, maintenance and replacement parts. Please read it carefully.

This document is a supplement to the General User's Manual for Orbea bicycles and components, which describes in a more detailed manner their appropriate use and the adjustment of the general components of the bicycles for safe riding and operation. You can see and download the User's Manual and the rest of the technical manuals for Orbea products from our website:

[www.orbea.com/es-es/soporte/manuales](http://www.orbea.com/es-es/soporte/manuales)

You can consult the information on the use, maintenance and characteristics of the components of other manufacturers that are assembled on our bicycles, such as wheels, handlebars, pedaling assistance systems, suspension forks, etc, on the manufacturer's website or through their dealer in your country.





## KEY TO SYMBOLS


Throughout this technical manual, various symbols are used that indicate instructions and warnings for use, maintenance and assembly. Pay attention to these symbols to avoid hazardous situations and ensure the correct use and assembly of all components.

The meaning of these symbols is explained below. In this manual, the symbol may appear accompanied only by the relevant instruction for the component described. Read the following information carefully in order to understand their meanings.

### SAFETY INSTRUCTIONS

 **DANGER:** Immediately hazardous situation. If not avoided, serious injury or even death will occur.

 **WARNING:** Potentially hazardous situation. If not avoided, serious injury or even death may occur.


 **CAUTION:** Potentially hazardous situation. If not avoided, minor or moderate injury may occur.

**NOTICE** Not related to injury. Property situation hazard.

The symbols **DANGER** and **WARNING** inform about a dangerous situation that, if not avoided, may cause an accident. An accident while riding a bicycle always poses risk of serious injury or even death. In this manual, the risk of death may therefore not always be mentioned when these symbols appear, since the risk is explained here.


### TOOLS AND TIGHTENING TORQUES

 SPANNER

 TORX KEY

 ALLEN KEY

 PHILLIPS SCREWDRIVER


 The key number is indicated inside the symbol.





10 N.m


**TIGHTENING TORQUES:** The corresponding tightening torque (in Newtons/meter) is indicated beneath the symbol of the tool to use for the element described.


### ASSEMBLY COMPOUNDS

 **OIL:** Light lubrication of elements like chains and cables.

 **GREASE:** High quality assembly grease to avoid creaking and seizing.

 **CARBON PASTE:** Carbon fiber assembly compound to increase friction between carbon fiber components.

 **LOCTITE SERIES 600:** Fixing cylindrical surfaces.

 **LOCTITE SERIES 200:** Threadlock. Medium resistance.

 **LOCTITE SERIES 400:** Instant adhesive.

## 02 ORBEA WARRANTY

Our continuous daily effort to provide maximum quality of our bicycles allows us to offer the following warranty and coverage conditions:

### LEGAL WARRANTY

Orbea offers the original owner of the Orbea bicycle, rigid fork or original component a legal warranty of 2 years from the date of purchase of the items, or the period stipulated as the legal warranty in the country of purchase.

This warranty covers all Orbea products against manufacturing defects and/or lack of compliance and guarantees the repair or replacement of the defective product at no cost to the affected customer. Likewise, this warranty also covers paint, varnish and corrosion defects on all frames and rigid forks assembled on our bicycles during the period specified in the previous paragraph of this warranty.

This warranty does not cover in any case damage derived from inappropriate use, falls or accidents or the lack of maintenance, as well as the normal wear and tear of consumable parts, such as, by way of example, but without limitation: seals, bearings, handlebar tape, spokes, tires, saddles, etc.

For a full description of the coverage conditions and the legal warranty, please visit:

[www.orbea.com/es-es/garantia](http://www.orbea.com/es-es/garantia)

### ORBEA LIFETIME WARRANTY

As a supplement to the legal warranty, Orbea offers the original buyer of the bicycle the Orbea lifetime commercial warranty, as long as they have registered their product on the Orbea website within 30 days of its purchase. This lifetime warranty covers the frames and rigid forks that we mount on our bicycles against manufacturing defects and material conformity issues with no time limitation.

This warranty extends the original period of coverage against paint, varnish or corrosion defects on the frames and rigid forks for one additional year after the end of the legal warranty period.

Orbea's lifetime commercial warranty only covers frames and rigid forks, but not OC components.

For a full description of the warranty conditions for the lifetime warranty, please visit:

[www.orbea.com/es-es/garantia/#garantia-deporvida-orbea](http://www.orbea.com/es-es/garantia/#garantia-deporvida-orbea)

## REGISTER YOUR BICYCLE

In order to benefit from the Orbea lifetime warranty extension, you must register your bicycle within 30 days of its purchase at:

[www.orbea.com/es-es/acceso-registro?from=register-plate/](http://www.orbea.com/es-es/acceso-registro?from=register-plate/)

### 01. REGISTER YOUR ACCOUNT

### 02. REGISTER YOUR BARCODE

### 03. WHERE TO FIND YOUR BARCODEA



## WARRANTY CLAIM PROCESS

All warranty claims must be processed through an authorized Orbea dealer, who will perform the initial diagnosis and send Orbea all the necessary documentation for a complete diagnosis of the claim in question. The dealer will inform the owner about the status of the process and the decision made on the warranty claim by Orbea.

We recommend that you always visit the dealer where you purchased your bicycle to process a warranty claim, or the dealer you chose during the process of purchasing a bicycle that was delivered directly to your home. If you cannot visit the original dealer, you can check the list of authorized dealers on our website or contact Orbea directly so we can indicate the dealer you should visit.

[www.orbea.com/es-es/distribuidores/?country](http://www.orbea.com/es-es/distribuidores/?country)

[www.orbea.com/es-es/contacto/](http://www.orbea.com/es-es/contacto/)

## 03 MAINTENANCE

Orbea products are carefully designed to be long-lasting, efficient and easy to maintain. The carbon and aluminum frames and forks are extremely corrosion-resistant.

However, your bicycle needs regular maintenance of its components in order to ensure that it works properly and safely, and to ensure its longevity.

### KEEP YOUR BICYCLE CLEAN

Clean your bicycle with mild soap and water on a regular basis to keep it working like new, and check the condition of the frame and its components. Do not use pressurized water, since it could damage components like bearings or the tubes of the frame.

Citrus-based degreasers are biodegradable and very effective in removing grease from drivetrain components and the chain.



Accumulated dirt can complicate the visual inspection of the components and hide damage that could potentially cause malfunctions or accidents.

#### NOTICE

Built-up dirt causes the premature wear of components and can even damage the bicycle frame in areas such as the bearing housings and moving parts. Damage due to the lack of cleaning and maintenance is not covered by the warranty.

### KEEP YOUR DRIVETRAIN LUBRICATED

Once you have cleaned your bicycle, lubricate the drivetrain, specifically the chain. Use the minimum amount necessary to lubricate the links, removing any excess amounts to prevent them from attracting dirt, causing the drivetrain to not work properly and the premature wear of the components.



Avoid the use of aerosol lubricants to prevent them from adhering to the brake surfaces. Always check the brakes after lubricating the drivetrain.

### INSPECT YOUR BICYCLE BEFORE EVERY RIDE

Do a quick check before each ride to make sure that your bicycle is in optimal operating conditions. You might discover small problems that could turn into major issues during the ride.

**FRAME:** Inspect the frame and the fork, looking for cracks or other damage. No strange noises should be heard. In the event of any damage to the frame, avoid using the bicycle and contact your authorized dealer for inspection.

**CHAIN:** Ensure it's clean and lubricated. The drivetrain should not make any abnormal noises.

**BRAKES:** Check that the brakes operate properly and in a safe manner. Check the tightening torques of the components.

**TIRES:** Check for worn tires and look for cuts on the tread or sides. If you spot damage, replace the tire. Make sure that the tire pressure is adequate.

**WHEELS:** Check that the wheels turn smoothly and show no signs of lateral deviations. Turn the wheel slightly from side to side to check that there is no lateral play in the bearings. Make sure that there are no broken or loose spokes. Check that the axles or quick-release levers are securely tightened with the correct tightening torque.

**HEADSET:** Activate the front brake and move the front part of the bicycle back and forth, applying pressure on the handlebars with the rear wheel on the ground. Check for strange noises or movement of the headset, which could indicate that the bearings are worn or the headset has not been correctly tightened. Once the headset is correctly adjusted, check that it turns smoothly.

**LINKAGE PIVOT POINTS:** On full suspension bicycles, check that all the linkage pivot points rotate smoothly and show no signs of play in the bearings. Pull the linkages from side to side on the bicycle and pay attention to any noise or play at the pivot points. If the linkages do not operate smoothly or show signs of play, it could be a sign that the tightening torques are incorrect or that the bearings are worn or damaged.

**BEARINGS:** The bearings (bottom bracket, linkage pivot points, headset, wheels, etc.) are elements subject to wear that must be inspected on a regular basis to ensure that they operate correctly. Bearings in poor condition can damage the components in which they are installed. Adverse weather conditions speed up bearing wear. Bearings that have excessive play or that do not turn smoothly must be replaced immediately. In the case of any doubt, consult your authorized dealer.

#### NOTICE

Damage to components like the frame, bicycle wheels, etc. associated with the lack of maintenance and the replacement of the bearings are not covered by the warranty conditions.



Failure to follow the recommendations outlined in this manual and riding a bicycle that shows signs of the symptoms described above may cause accidents and serious injuries.



**TIGHTENING TORQUES.** Always check the tightening torques and install the components described in this manual according to the tightening torque specifications. Follow the tightening torque specifications for components from other manufacturers installed on your Orbea bicycle. The failure to follow these specifications may lead to the malfunction of the components, accidents and even death.

## MAINTENANCE SCHEDULE

#### NOTICE

Maintenance periods for the components indicated below are general guidelines and largely depend on factors such as weather conditions in which your bicycle is ridden (adverse conditions considerably reduce the life of the components and increase maintenance frequency), the cleanliness of your bicycle and its components (components with accumulated dirt wear more quickly), and use (more demanding use of the bicycle will

require more frequent maintenance periods). For components from other brands mounted on Orbea bicycles, you can check the recommended or mandatory maintenance periods on the manufacturer's website or by contacting the distributor of that brand in your country.

#### NOTICE

Damage to components as a result of failing to follow the recommended maintenance periods could result in damage that is not covered by the warranty conditions of Orbea or the component manufacturer.



The failure to comply with maintenance periods could result in damage to the components and lead to malfunctions and accidents.

#### HEAD TUBE:

- Inspection of its operation before each ride.
- Disassembly and manual inspection of the bearings once every 6 months of use.

#### BOTTOM BRACKET:

- Inspection of its operation before each ride.
- Disassembly and manual inspection of the bearings once every 6 months of use.

#### DRIVETRAIN:

- Inspection of its operation before each ride.
- Regular inspection of chain wear every 500 km. A chain that is worn beyond the manufacturer's recommendations must be replaced to prevent damage to the rest of the drivetrain components. The failure to observe the manufacturer's recommendations in terms of wear could necessitate the replacement of the rest of the parts of the drivetrain.

#### WHEELS:

- Inspection of its operation before each ride.
- Disassembly and manual inspection of the bearings and all components once every 6 months.

**SHOCKS AND SUSPENSION FORKS:**

- Inspection of its operation before each ride.
- Inspection and full maintenance every 125 hours or once a year (whichever occurs first) by the manufacturer's authorized dealer.

**TELESCOPIC SEAT POSTS:**

- Inspection of its operation before each ride.
- Inspection and full maintenance every 125 hours or once a year (whichever occurs first) by the manufacturer's authorized dealer.

**GEAR CABLES AND HOUSING:**

- Inspection of its operation before each ride.
- Replacement of gear cables every 6 months to 1 year depending on the conditions in which the bicycle is used.

**BRAKES:**

- Inspection of the operation and wear of the brake pads or shoes before each ride.
- Check the wear on disc brakes and the cables or hydraulic lines every 6 months to 1 year depending on the conditions in which the bicycle is used. Flush the hydraulic lines once a year.



Some of these checks and maintenance needs go beyond the mechanical knowledge of most bicycle users. If you are not qualified to perform the necessary maintenance, always visit an Orbea dealer for maintenance on your bicycle and its components. The failure to perform proper maintenance can result in malfunctions and accidents with serious consequences.

**NOTICE**

Maintenance performed incorrectly can damage the components, which are not covered by the warranty conditions.

## REPLACEMENT PARTS

Always use original Orbea replacement parts or those from the component manufacturer in question.



The use of non-original replacement parts may cause damage that results in malfunctions and accidents with serious consequences.



The installation of some of the replacement parts in this technical manual are beyond the mechanical knowledge of most bicycle users. If you are not qualified to install these replacement parts, always visit an Orbea dealer for maintenance on your bicycle and its components. The failure to properly install replacement parts can result in malfunctions, accidents and serious injuries.

**NOTICE**

The installation of non-original replacement parts can damage your bicycle and is not covered by the warranty conditions.

## AFTER A CRASH OR AN IMPACT

Falling off your bike is part of cycling. If you have an accident on your Orbea bicycle, be sure that you're okay and seek medical care, if necessary. If you are uninjured, you should check the condition of your bicycle before continuing to ride.

**INSPECT THE FRAME AND THE BICYCLE COMPONENTS TO SEE IF THEY HAVE BEEN DAMAGED IN ANY WAY.**

If you detect any problem, do not continue to ride the bicycle.

**POINTS TO CHECK**

Inspect the frame and the fork to identify whether either of these components have been broken or bent. If you detect any damage or cracks, you must stop using the bicycle immediately. On carbon frames, look for cracks or soft spots

in the carbon. If you detect any of these symptoms, you must stop using the bicycle immediately.



The materials used on carbon frames and forks are rigid and strong, but if overloaded or if they suffer an impact, the fibers do not bend, and they will break. A strong enough impact to this material could cause damage that, while not visible at first glance, could cause the materials to fail in the future. In the case of any doubt about the consequences of a fall or accident, contact your Orbea dealer for a correct diagnosis of the materials.

Check the drivetrain and the wheels to make sure that the components operate correctly. If you discover any damage to the components, stop using the bicycle immediately.

Even if you do not observe any damage, pay close attention to the sound of your bicycle when you ride it again. Damage and other problems can cause unusual noises. If you notice any unusual noise, stop using your bicycle immediately and contact your Orbea dealer for a correct diagnosis of the problem.

**TAKE YOUR ORBEA BICYCLE TO AN AUTHORIZED DEALER FOR A PROFESSIONAL INSPECTION.**

Some of the consequences of a fall or accident can only be detected by completely disassembling the bicycle to check for the presence of damage or other signs of deterioration.



A collision or impact can cause serious damage to your bicycle and its components, causing them to malfunction or wear out prematurely. Malfunctions can occur suddenly and without notice, causing you to lose control of your bicycle and suffer serious injuries, or even death.

# 04 USE WARNINGS

## MAXIMUM TYRE WIDTH

This technical manual specifies the maximum size of the tyres that can be mounted on the frame. Always follow these guidelines when installing tyres on your bicycle.

However, the real measurements of the tyre circumference and width may change from one manufacturer to another. When installing a tyre other than that originally mounted on your Orbea bicycle, check that there is at least 6 mm between the top and the sides of the tyre and any part of the frame.

**NOTICE**

Damage to the frame or components due to the use of a tyre that does not comply with these measurements is not covered by the warranty conditions.

## MINIMUM SEATPOST INSERTION



Always follow the specifications regarding the minimum insertion depth of the seatpost or the frame on road bicycles with exclusive Orbea seatposts. The failure to follow these instructions can cause stresses on the materials beyond the conditions for which they were designed and cause damage not covered by the warranty conditions, as well as accidents that can result in serious injuries.

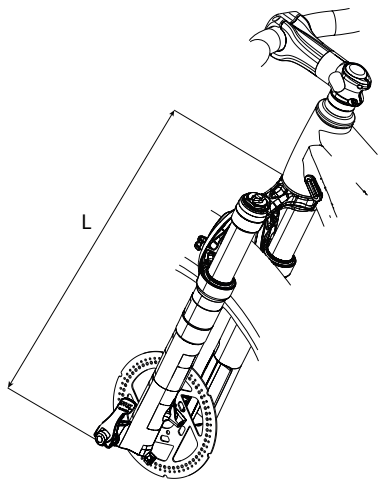
On Junior frames with Digit seatposts, always use the seatpost hardware provided to stop the child from removing the seatpost from the frame and avoid rotation of the seatpost into the frame.

## MAXIMUM FORK LENGTH (AXLE TO CROWN)

Always abide by the maximum fork length listed in the technical specifications section of this manual. The maximum fork length refers to the distance between the fork axle and the bottom part of the head tube (axle to crown).



The failure to abide by this measurement and install forks with a length greater than the maximum specifications can force the frame beyond its design characteristics, possibly resulting in malfunctions of the material that could cause accidents and serious injuries.

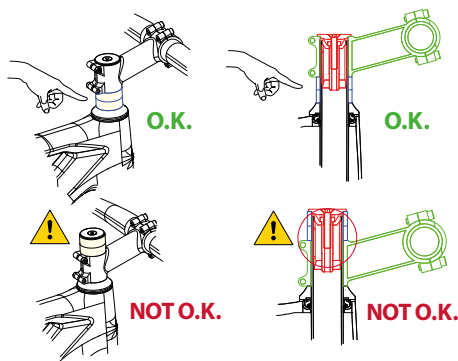


## MAXIMUM NUMBER OF HEADSET SPACERS



Never use more headset spacers below the stem than those specified for the frame. Consult the specifications tables to find out the maximum number of headset spacers that are acceptable for use on an Orbea frame. Installing more spacers than those permitted can stress the materials beyond the use for which they were designed, which can cause accidents and serious injuries.

## STARNUT POSITION INSIDE THE FORK STEERER TUBE. HEADSET SPACERS ABOVE THE STEM



Never install head tube spacers above the stem. Placing spacers above the stem, especially on forks with a carbon head tube, can cause the head tube expander inside the fork tube to be positioned above the lower limit of the head tube, which can stress the materials beyond the use for which they were designed, possibly causing accidents and serious injuries.



The length of the fork head tube must always be appropriate for the position of the stem in the fork. The stem must always be installed in the steerer tube of the fork so that both fastening bolts on the back of the stem are positioned above the surface of the steerer tube of the fork. Never mount the stem so that the top fastening bolt of the stem remains above the top edge of the fork steerer tube. This will stress the materials beyond the use for which they were designed, possibly causing accidents and serious injuries.

## INTENDED USE

### MX12

ASTM Condition 0: The kids bicycles under this condition are always to be used under appropriate parental supervision in a manner consistent with the child's riding skills.. These models are designed for recreational use only. Avoid extreme use.

No do use in places with traffic and always wear a bicycle helmet.

Always observe the age, height/weight limits.

Age: 2-4 years old.  
Height: 80-105cm (31-41 inch).  
Max. weight: 20 kg (44 lb).



### MX20

ASTM Condition 0: The kids bicycles under this condition are always to be used under appropriate parental supervision in a manner consistent with the child's riding skills.. These models are designed for recreational use only. Avoid extreme use.

No do use in places with traffic and always wear a bicycle helmet.

Always observe the age, height/weight limits.

Age: 4-8 years old.  
Height: 110-135 cm (43-53 inch).  
Max. weight: 40 kg (86 lb).



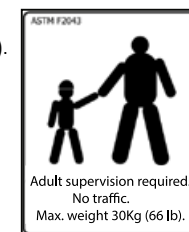
### MX16

ASTM Condition 0: The kids bicycles under this condition are always to be used under appropriate parental supervision in a manner consistent with the child's riding skills.. These models are designed for recreational use only. Avoid extreme use.

No do use in places with traffic and always wear a bicycle helmet.

Always observe the age, height/weight limits.

Age: 3-6 years old.  
Height: 95-120 cm (37.4-47 inch).  
Max. weight: 30 kg (66 lb).



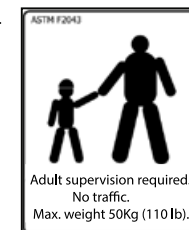
### MX24

ASTM Condition 0: The kids bicycles under this condition are always to be used under appropriate parental supervision in a manner consistent with the child's riding skills.. These models are designed for recreational use only. Avoid extreme use.

No do use in places with traffic and always wear a bicycle helmet.

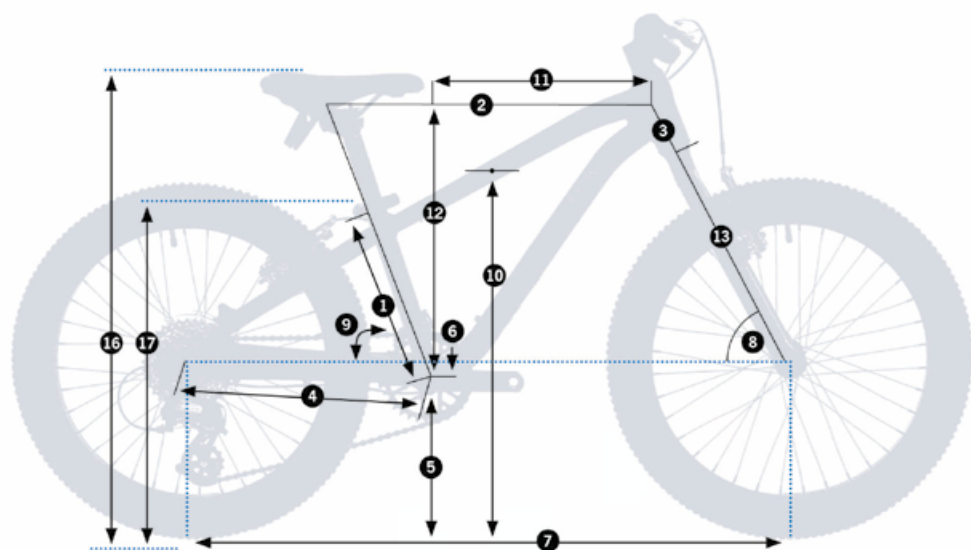
Always observe the age, height/weight limits.

Age: 6-10 years old.  
Height: 125-150 cm (49-59 inch).  
PMax. weight: 50 kg (110 lb).



## 05 GEOMETRY AND SIZING

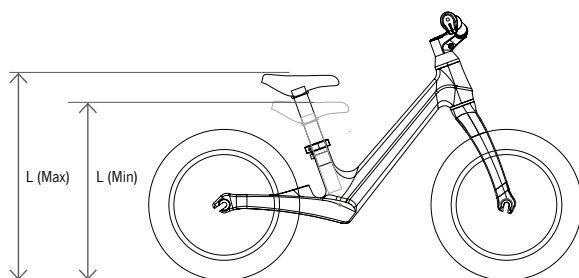
### MX JUNIOR



### SADDLE MAXIMUM AND MINIMUM HEIGHT WITH DIGIT SEATPOSTS

The maximum and minimum saddle heights for the MX Junior range are measured from the floor to the top of the saddle.

The measurements given refer to the minimum and maximum saddle heights for the Digit seatpost size specified on a given model.



	MX12 DIGIT 180MM	MX16 DIGIT 250MM	MX20 DIGIT 250MM	MX24 DIGIT 300MM
<b>Minimum saddle height</b>	365mm*	512mm*	585mm*	664mm*
<b>Maximum saddle height</b>	430mm*	603mm*	720mm*	810mm*

\* (+/-10mm)

SIZES	12	16	20	24
1 - Seat Tube (C-T)	130	205	257	300
2 - Top Tube (EFF)	315	386	450	515
3 - Head Tube	80	90	100	100
4 - Chainstay	230	295	345	390
5 - BB Height	-	185	236	285
6 - BB Drop	-	15	18	30
7 - Wheelbase	561	734	863	975
8 - Head Angle	70	68	69	69
9 - Seat Angle	70	73	73	73
10 - Standover	-	379	491	590
11 - Reach	-	286	320	361
12 - Stack	-	328	424	502
13 - Fork Length	220	254	347	418
14 - Max seatpost height	430	603	720	812
15 - Min seatpost height	365	512	585	664

HEIGHT (CM)	HEIGHT (IN)	SIZE*
80-105	31"-41"	12
95-120	37.4"-47"	16
110-135	43"-53"	20
125-150	49"-59"	24

\*Read the child's weight and height limits for the MX Junior range on the Warnings of Use-Intended Use section of this manual.



# 06 TECHNICAL SPECIFICATIONS

## MX JUNIOR

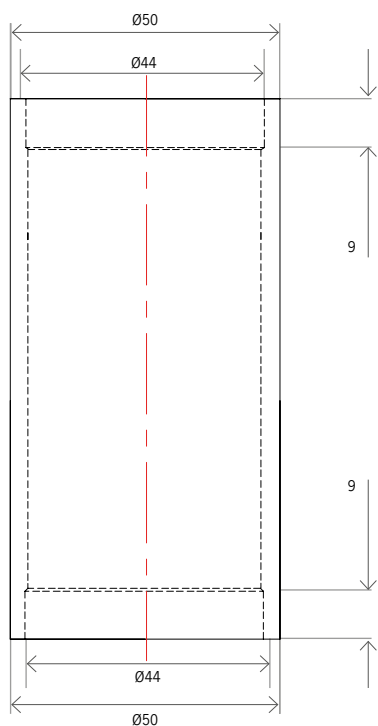
	MX12	MX16	MX20	MX24
<b>FRAME MATERIAL</b>	MAGNESIUM	ALUMINUM 6061	ALUMINUM 6061	ALUMINUM 6061
<b>FORK MATERIAL (rigir forks)</b>	MAGNESIUM	HI-TEN STEEL	ALUMINUM 6061 (Team) HI-TEN STEEL (Dirt/Park)	ALUMINUM 6061 (Team) HI-TEN STEEL (Dirt/Park)
<b>BRAKE TYPE</b>	-	V-BRAKE	V-BRAKE Compatible with IS 160mm disc brake	V-BRAKE Compatible with IS 160mm disc brake
<b>FORK TRAVEL (models with suspension forks)</b>	-	-	80mm	80mm
<b>FORK MAXIMUM LENGTH (Axle-to-crown)</b>	220mm	254mm	347mm	418mm
<b>HEADSET</b>	1-1/8" Semi integrated	1-1/8" Semi integrated	1-1/8" Semi integrated	1-1/8" Semi integrated
<b>MAXIMUM NUMBER OF HEADSET SPACERS</b>	0	0	0	0
<b>BOTTOM BRACKET</b>	-	BSA 68mm	BSA 68mm	BSA 68mm
<b>BB AXLE LENGTH SQUARE TAPERED</b>	-	110.5mm	110.5mm	115mm
<b>SEATPOST DIAMETER</b>	27.2mm	27.2mm	27.2mm	27.2mm
<b>SEATPOST CLAMP DIAMETER</b>	31.8mm	31.8mm	31.8mm	31.8mm
<b>WHEEL SIZE</b>	12"	16"	20"	24"
<b>MAXIMUM TYRE WIDTH</b>	2.2"	2.0"	2.2"	2.2"
<b>REAR HUB LENGTH (O.L.D)</b>	100mm	113mm	135mm	135mm
<b>FRONT HUB LENGTH (O.L.D)</b>	100mm	100mm	100mm	100mm
<b>REAR AXLE STANDARD</b>	QR (with safety bolts)	QR (with safety bolts)	QR	QR

	MX12	MX16	MX20	MX24
<b>FRONT AXLE STANDARD</b>	QR (with safety bolts)	QR (with safety bolts)	QR	QR
<b>BRAKE CABLE ROUTING</b>	-	EXTERNAL (Full housing)	EXTERNAL (Full housing)	EXTERNAL (Full housing)
<b>REAR DERAILEUR CABLE ROUTING</b>	-	-	INTERNAL IN DT EXTERNAL ON C/STAY (Full housing)	INTERNAL IN DT EXTERNAL ON C/STAY (Full housing)
<b>BOTTLE HOLDER</b>	NO	1 Lower downtube mounting Orbea Junior 350ml	1	1
<b>COMPATIBLE WITH FULL MUDGUARDS</b>	NO	NO	YES	YES
<b>FRONT DERAILEUR</b>	NO	NO (Single speed)	NO Only 1X	NO Only 1X
<b>DRIVETRAIN COMPATIBILITY</b>	-	SINGLE SPEED	UP TO 10S MTB & LEISURE	UP TO 10S MTB & LEISURE
<b>CHAINGUIDE COMPATIBLE</b>	-	NO Chain cover	YES	YES
<b>KICKSTAND COMPATIBLE</b>	NO	YES	YES	YES
<b>RACK COMPATIBLE</b>	NO	NO	NO	NO
<b>AGE RANGE (Years old)</b>	2-4	3-6	4-8	6-10
<b>HEIGHT RANGE (cm)</b>	80-105	95-120	110-135	125-150
<b>WEIGHT LIMIT (kg)</b>	20	30	40	50
<b>INTENDED USE</b>	RECREATIONAL SUPERVISED (No traffic)	RECREATIONAL SUPERVISED (No traffic)	RECREATIONAL SUPERVISED (No traffic)	RECREATIONAL SUPERVISED (No traffic)

## 07 ASSEMBLY AND SPARES

### HEADSET

HEADTUBE DIMENSIONS  
MX12, MX16, MX20, MX24



HEADSET SPECIFICATION  
MX12, MX16, MX20, MX24

	Type	Measurement
<b>TOP</b>	Semi integrated	1-1/8"
<b>BOTTOM</b>	Semi integrated	1-1/8"

### SPARES

#### 01 1 1/8"-1 1/8" SEMI INTEGRATED HEADSET

Compatible with: MX12, MX16, MX20, MX24

ART N°: X2550000	QTY.
	1



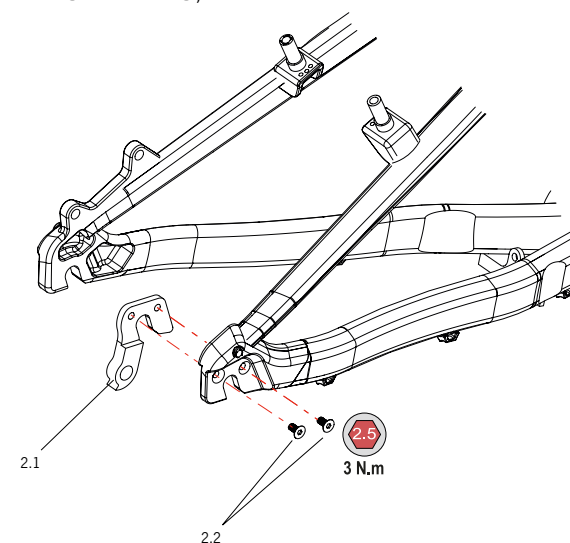
**NOTICE** This headset includes a round stem topcap for standard stems. For assemblies with OC Junior integrated handlebar-stem assemblies, the spare profiled topcap is included in article X2530000. Read the Handlebar section of this manual.

## AXLE AND REAR DERAILLEUR HANGER

DROPOUTS  
STANDARDS

	MX12	MX16	MX20	MX24
<b>FORK</b>	QR 100mm With safety bolt	QR 100mm With safety bolt	QR 100mm	QR 100mm
<b>FRAME</b>	QR 100mm With safety bolt	QR 113mm With safety bolt	QR 135mm	QR 135mm

REAR DERAILLEUR HANGER. MX20, MX24



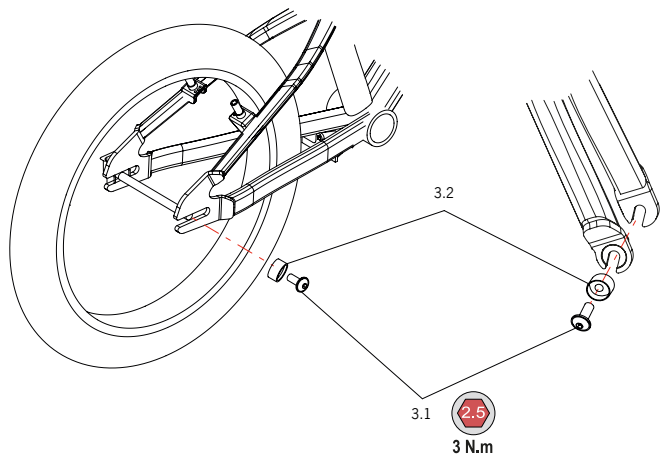
#### 02 DERAILLEUR HANGER QR. MX20, MX24

ART N°: X2590000	QTY.
2.1 DER. HANGER STD QR	1
2.2 BOLT M4x8 COUNTERSUNK	2





**⚠** Always follow the recommended torque settings.

### MX12, MX16 WHEEL SAFETY BOLT KIT

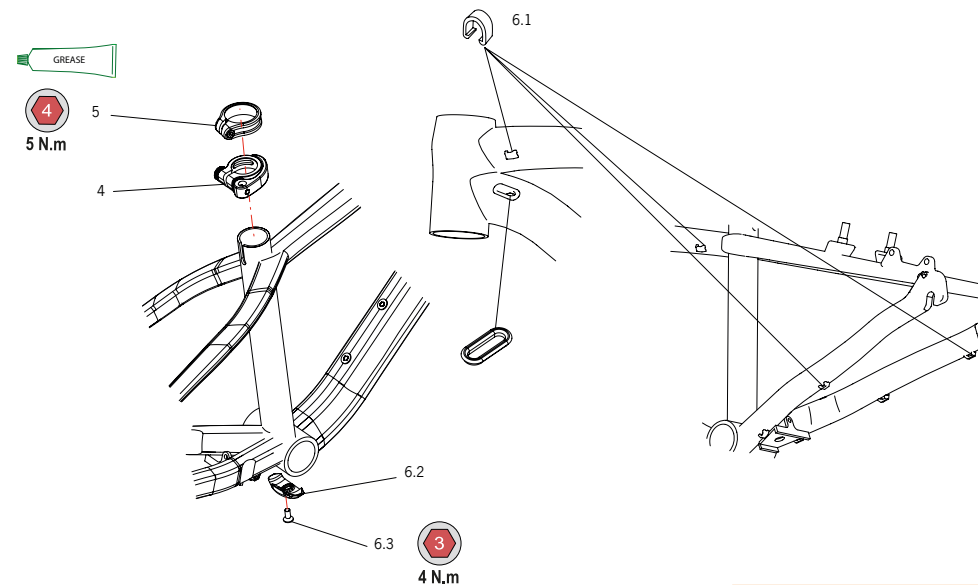



#### 03 MX12, MX16 WHEEL SAFETY BOLT KIT

ART N°: X2540000 QTY.

	3.1	BOLT M6x20	2
	3.2	LOCKING WASHER M6 JUNIOR	2

### FRAME HARDWARE



 Always follow the recommended torque settings.

#### 04 SEATPOST CLAMP 31.8 QR WITH RUBBER PROTECTOR. BLACK MX12, MX16, MX20, MX24. WITH DIGIT SEATPOST

ART N°: X2510000 QTY.



1

#### 05 SEATPOST CLAMP 31.8 WITH BOLT. BLACK MX20, MX24. WITH STANDARD SEATPOST.



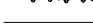

ART N°: X2520000 QTY.



1

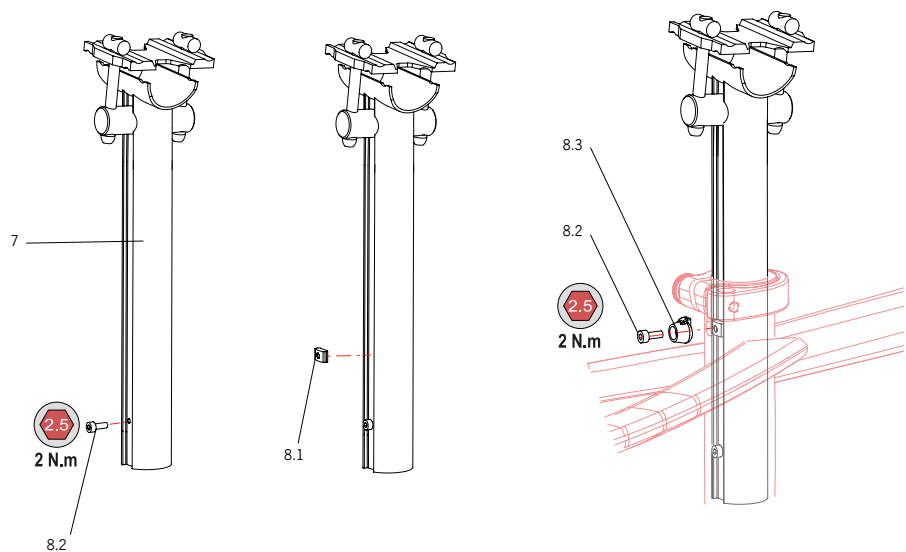
#### 06 CABLEGUIDE KIT MX20, MX24

ART N°: X2610000 QTY.

	6.1	CABLEGUIDE CLIP	5
	6.2	CABLEGUIDE BB MX20, MX24	1
	6.3	BOLT M5x12	1
	6.4	RUBBER PLUG 22x8 HOLE	1

# DIGIT SEATPOST

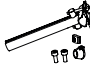

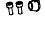

DIGIT JUNIOR SEATPOST. ASSEMBLY AND SPARES.





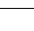
**⚠** Always follow the recommended torque settings.

## 07 DIGIT JUNIOR 27.2 SEATPOST (Seatpost clamp not included)

DIGIT 27.2x180mm (MX12)	X2501800
DIGIT 27.2x250mm (MX16, MX20)	X2502500
DIGIT 27.2x300mm (MX24)	X2503000

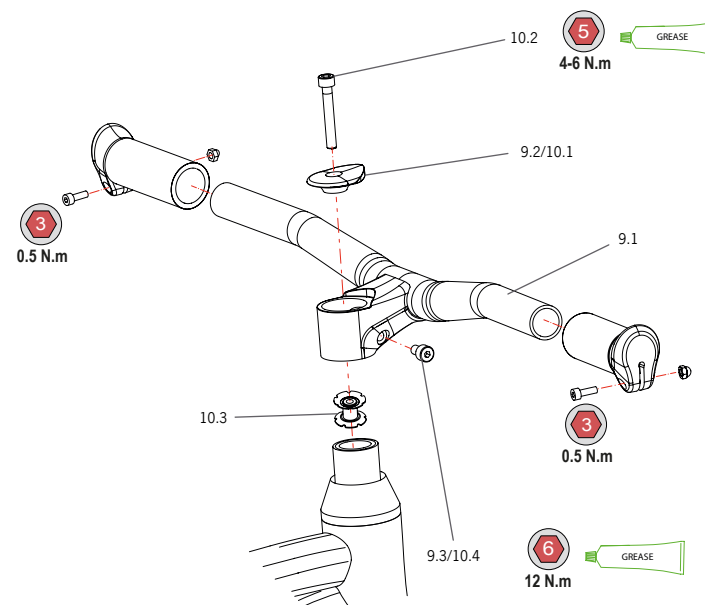
EACH ARTICLE CONTAINS:		QTY.
	7.1 DIGIT 27.2 ALLOY SEATPOST SBO (Chosen size)	1
	7.2 WEDGE GUIDE DIGIT	1
	7.3 BOLT M3x8	2
	7.4 EXTERNAL NUT DIGIT	1

## 08 DIGIT JUNIOR 27.2 SEATPOST HARDWARE KIT MX12, MX16, MX20, MX24 (Seatpost clamp not included)

ART N°: X2490000	QTY.
 8.1 WEDGE GUIDE DIGIT	1
 8.2 BOLT M3x8	2
 8.3 EXTERNAL NUT DIGIT	1

# HANDLEBAR


INTEGRATED HANDLEBAR+STEM OC JUNIOR





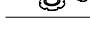

**⚠** Always follow the recommended torque settings.

## 09 HANDLEBAR+STEM ORBEA JUNIOR 21

HANDLEBAR 400mm + STEM (MX12)	X2480000
HANDLEBAR 450mm + STEM (MX16)	X2560000
HANDLEBAR 540mm + STEM (MX20, MX24)	X2600000

EACH ARTICLE CONTAINS:		QTY.
	9.1 HANDLEBAR+STEM ORBEA JUNIOR 21 (Chosen)	1
	9.2 STEM TOPCAP	1
	9.3 STEM TIGHTENING BOLT	1

## 10 HANDLEBAR+STEM ORBEA JUNIOR 21 HARWARE KIT MX12, MX16, MX20, MX24

ART N°: X2530000	QTY.
 10.1 STEM TOPCAP	1
 10.2 BOLT M6x30 HEADSET PRELOAD	1
 10.3 STARNUT 1 1/8"	1
 10.4 STEM TIGHTENING BOLT	1

## BAR END PLUGS INSTALLATION ON JUNIOR BICYCLES

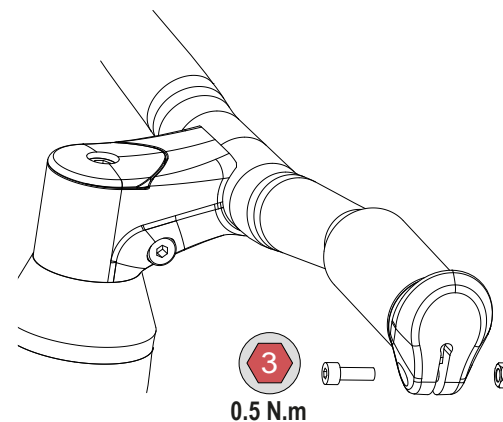
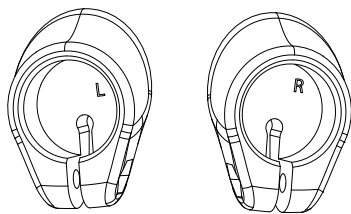
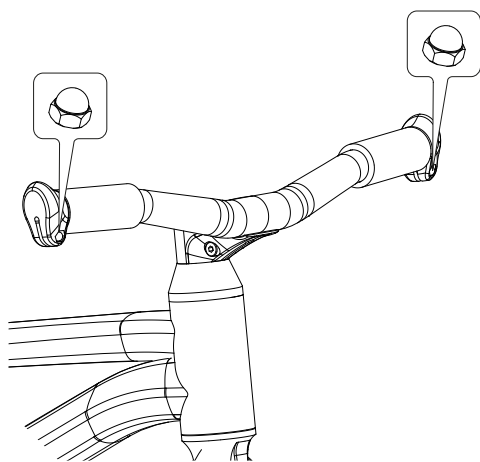
**⚠** Bar end plugs must always be fitted to bicycle handlebars to avoid injury with the ends of the handlebar in case of a crash or a fall.

If the bar end plugs are deteriorated or missing, replace them or install a new compatible grip with closed ends before using the bicycle.

### CORRECT ORBEA BAR END PLUGS INSTALLATION PROCEDURE

1. The plugs provided by Orbea are side-specific for each end of the handlebar. Check that they are correctly installed. The left side plug is marked with an L and the right side plug is marked with an R in their interior.

Once installed on the handlebar, the fixing bolt must be installed from the rear and the nut must remain on the front of the handlebar.

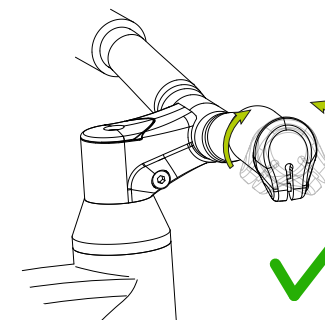
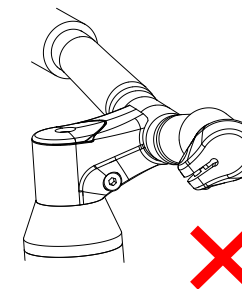


2. The plugs must be positioned on the handlebar so the slit is oriented downwards.

Once correctly positioned, tighten the bolt to the specified torque setting of 0.5 N.m

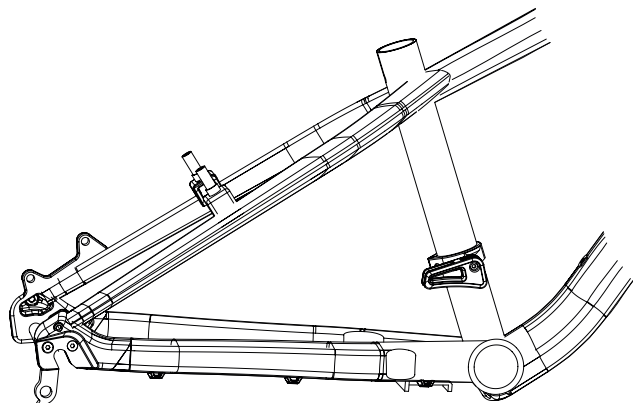
3. Once the fixing bolt is torqued to 0.5 N.m, it is normal that the plugs can be turned on the handlebar if sufficient force is applied. This is a safety feature to avoid damage to the components in case of a crash or a fall.

Before each use, or after a crash or a fall, check that the plugs are correctly positioned (with the slit oriented downwards).




## CHAINGUIDE-CHAIN COVER

OC JUNIOR CHAINGUIDE. MX20, MX24



### 24 ORBEA JUNIOR 1X CHAINGUIDE. SEAT TUBE ASSEMBLY

Includes adapter for 31.8 and 34.9 seat tubes

ART N°: X2620000		QTY.
	24.1 CHAINGUIDE ORBEA JUNIOR 1X	1
	24.2 SEAT TUBE CLAMP	
	24.3 ADAPTER 31.8-24.9	

## HEBIE CHAINLOOPER CHAIN COVER. 71 LINKS. MX16


The Hebie ChainLooper chain cover is only available as a replacement item due to breakage or warranty claim.

The chain cover can only be mounted on MX16 models with a 32Tx18T gear ratio and a 71 links KMC chain. The chaincover includes the chain.

Read the manufacturer's documentation here:  
[https://www.chainlooper.de/pdf/2018\\_11\\_14%20Technical%20Information%20Chainlooper%200357F32.PDF](https://www.chainlooper.de/pdf/2018_11_14%20Technical%20Information%20Chainlooper%200357F32.PDF)

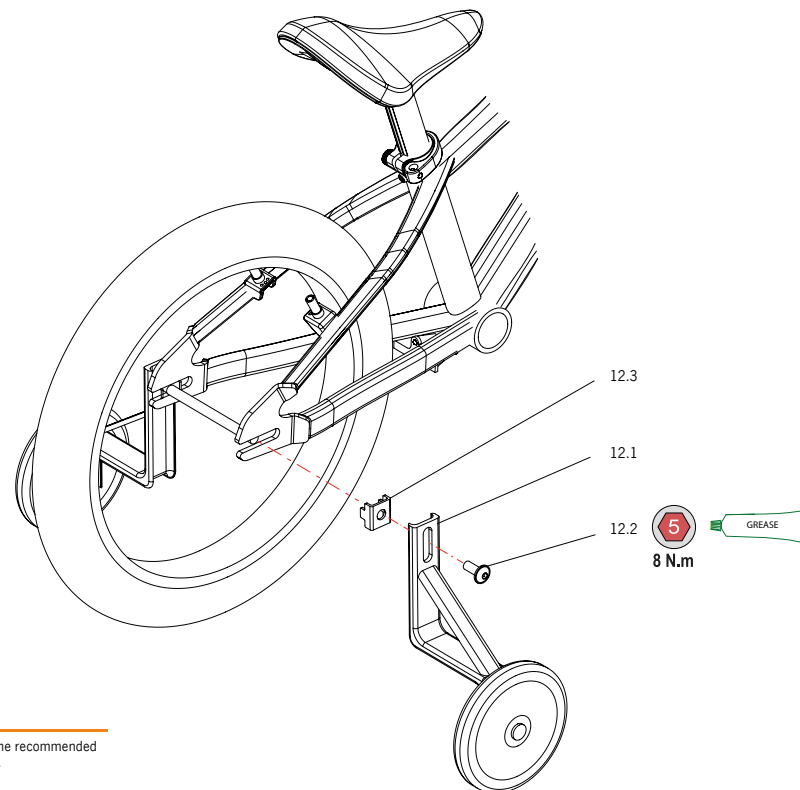
Watch the manufacturer's assembly video here:  
<https://www.youtube.com/watch?v=FHYjMHRnCSQ>

### 11 HEBIE CHAINLOOPER CHAIN COVER. 32X18T. 71 LINKS MX16

CONSULT ORBEA DEALER.		QTY.
	<b>INCLUDES:</b>	
	CHAINLOOPER 32x18T CHAIN COVER BRACKET	
	CHAINLOOPER CHAIN COVER, 71 LINKS	1
	KMX 1X CHAIN, 71 LINKS	1


## MX16 STABILISERS

MX16 STABILISERS ASSEMBLY



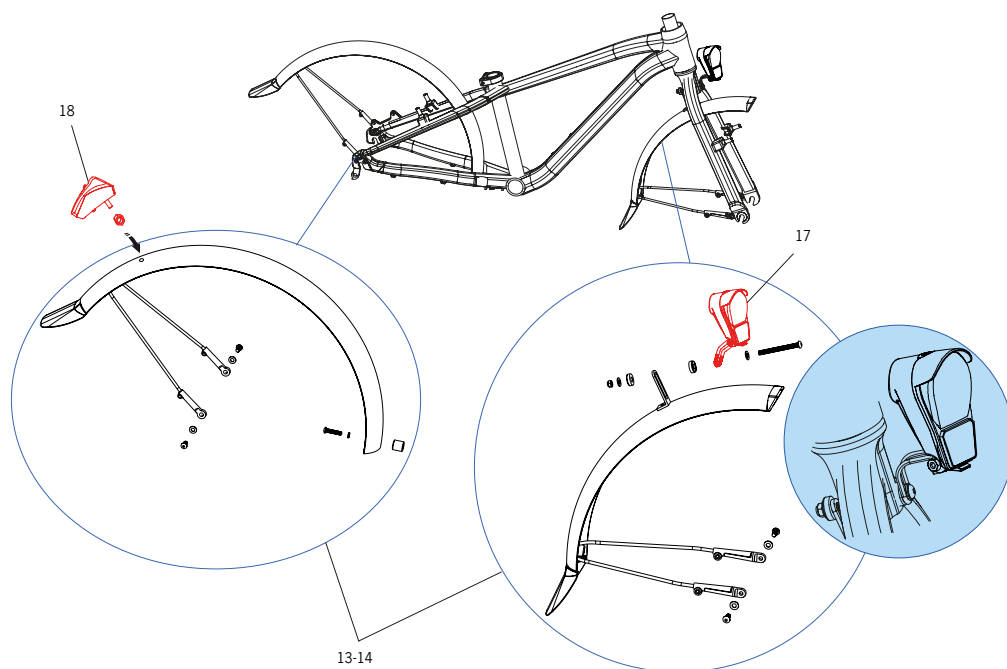
 Always follow the recommended torque settings.

### 12 STABILISERS MX16

ART N°: Y023		QTY.
	STABILISER LEG+WHEEL	2
	SAFETY BOLT M6x30	2
	STABILISERS PLATE	2

## MUDGUARDS

### COMPLETE MUDGUARDS AND LIGHTS ASSEMBLY. MX20



#### 13 MX20 COMPLETE MUDGUARDS SET BLACK



The MX20 complete mudguards set is only available as a replacement item through an authorized Orbea dealer.

#### 14 MX20 MUDGUARDS HARWARE KIT (Mudguards blades not included)

ART N°: X2650000



#### 17 FRONT LIGHT SPANNINGA GALEO XB



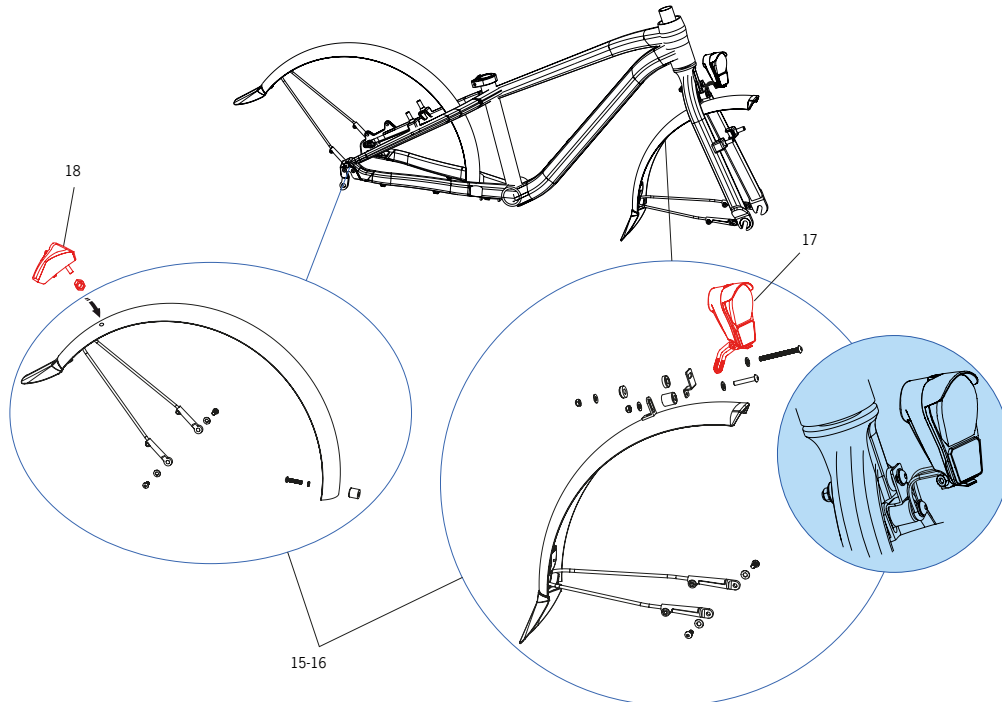
**SPECIFICATIONS**  
1 LED  
4 LUX  
Power: 2 pbatteries AA 1.5V  
Maximum running time: 40h

#### 18 REAR LIGHT SPANNINGA PIXED XB Mudguard assembly



**SPECIFICATIONS**  
1 LED  
8 Candels  
Power: 2 pilas AAA 1.5V  
Maximum running time: 120h

### COMPLETE MUDGUARDS AND LIGHTS ASSEMBLY. MX24



#### 15 MX24 COMPLETE MUDGUARDS SET BLACK



The MX24 complete mudguards set is only available as a replacement item through an authorized Orbea dealer.

#### 16 KIT PIECERÍO AMARRE GUARDABARROS MX24 (Mudguards blades not included)

ART N°: X2650000



#### 17 FRONT LIGHT SPANNINGA GALEO XB



**SPECIFICATIONS**  
1 LED  
4 LUX  
Power: 2 pbatteries AA 1.5V  
Maximum running time: 40h

#### 18 REAR LIGHT SPANNINGA PIXED XB Mudguard assembly



**SPECIFICATIONS**  
1 LED  
8 Candels  
Power: 2 pilas AAA 1.5V  
Maximum running time: 120h

## VINYL FORK FLEXIBLE MUDGUARDS

**25 M/GUARD VINYL. SUSPENSION FORKS**  
MX20, MX24

ART N°: X2630001	BLK-RED	1
ART N°: X2630002	PURP-MIN	1
ART N°: X2630003	GRA-MOS	1



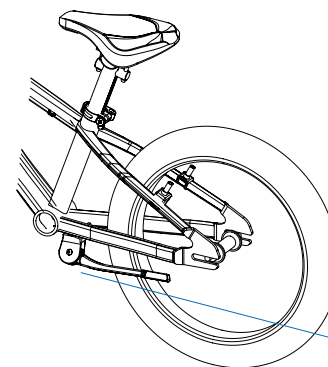
Attaches to the fork lowers and bridge with zipties (not included)

**26 M/GUARD VINYL. RIGID FORKS**  
MX16, MX20, MX24

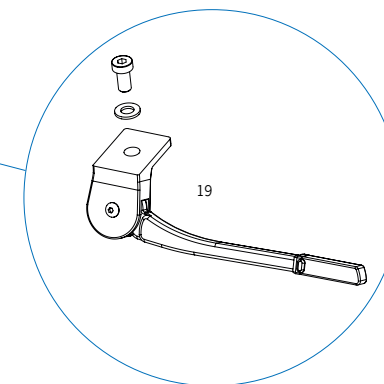
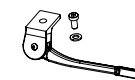
ART N°: X2580001	BLK-RED	1
ART N°: X2580002	PURP-MIN	1
ART N°: X2580003	GRA-MOS	1



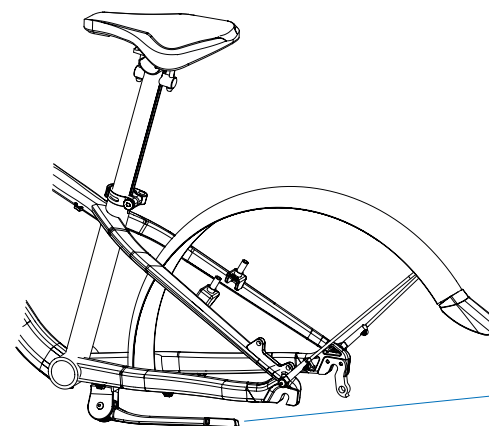
EACH CODE INCLUDES THE SELECTED COLOUR MUDGUARD AND 2 M5x15 BOLTS TO ATTACH THE MUDGUARD TO THE FORKS.

**KICKSTAND**  
MX 16 KICKSTAND**19 MX16 KICKSTAND**

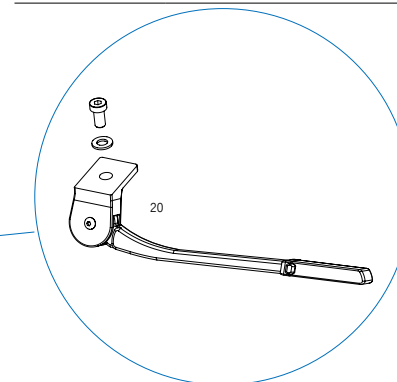
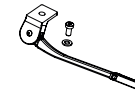
ART N°: Y033



## MX20-24 KICKSTAND

**20 MX20-24 KICKSTAND**

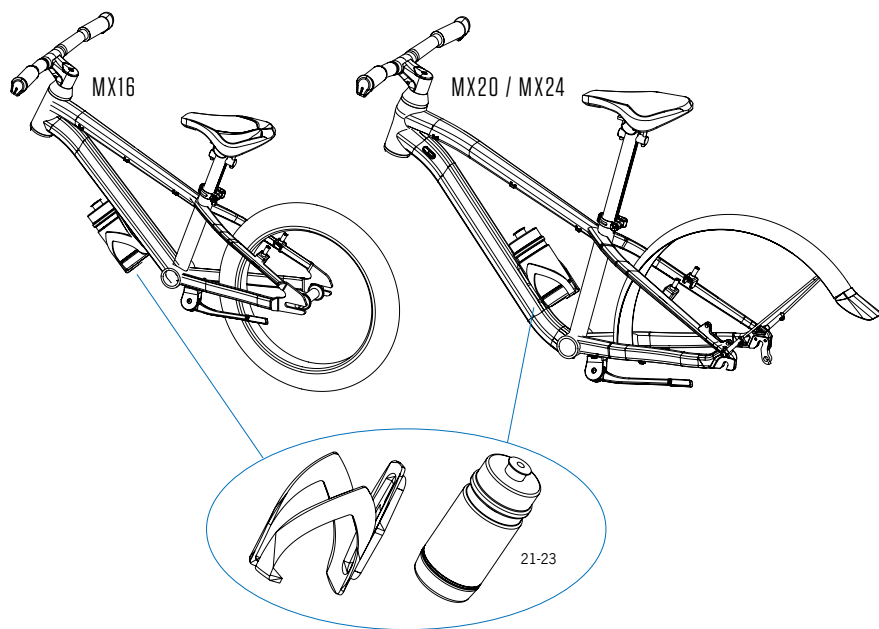
ART N°: Y024





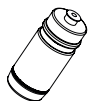
## BOTTLE HOLDER

JUNIOR 350ml BOTTLE HOLDER ASSEMBLY  
ON MX16, MX20 AND MX24



### 21 ORBEA JUNIOR 350ML BOTTLE

ART N°: Y025



### 22 ORBEA JUNIOR BOTTLE HOLDER

ART N°: Y026



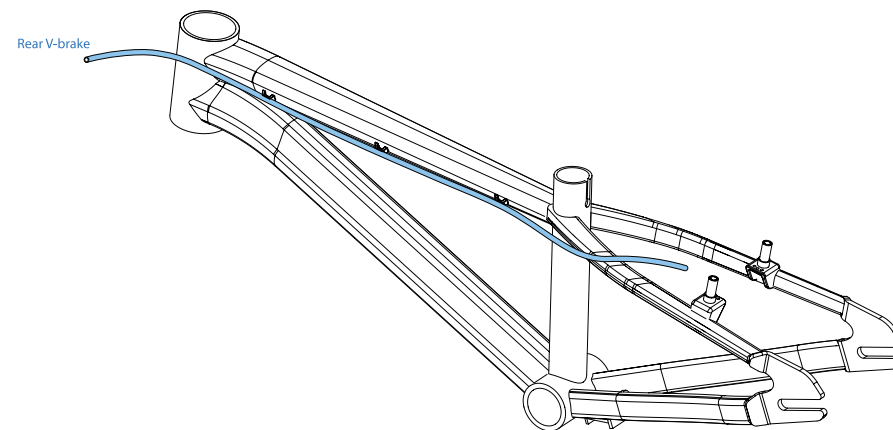
### 23 BOTTLE HOLDER+BOTTLE ORBEA JUNIOR 350ML

ART N°: Y027

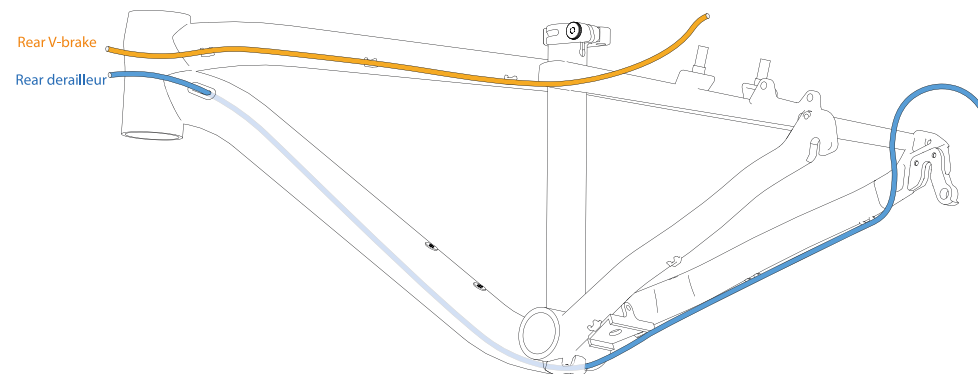


## CABLING

MX16 BRAKE CABLE ROUTING



MX20 / MX24 BRAKE AND REAR DERAILLEUR CABLE ROUTING





## 08 SUSPENSIONS

Consult the Suntour forks' User Manual on the manufacturer's website. Search your fork model to know the recommended settings and maintenance.

[www.srsuntour.com/generalforkmanual/](http://www.srsuntour.com/generalforkmanual/)

# 09 DECLARATION OF CONFORMITY




**DECLARACIÓN DE CONFORMIDAD CE  
EC DECLARATION OF CONFORMITY**

**El fabricante / The manufacturer:** Orbea S. Coop. Ltda  
Polígono Industrial Goitondo s/n  
48269, Mallabia (Bizkaia) - Spain

**Declara que los siguientes productos / Declares that the following products:**

Descripción / Description	: Bicicleta
Marca / Make	: ORBEA
Modelos / Models	: ALMA, AVANT, CARPE, COMFORT, DUDE, GROW, LAUFEY, MX 27, MX 29, MX 24, MX 20, MX 16, KATU, LOKI, OIZ, ORCA, ORDU, OCCAM, RALLON y SPORT.

**Año de construcción / Year of manufacture :** 2020 and 2021

**Cumplen con las siguientes Directivas Europeas / Fulfills the following European Directives:**

- Directiva 2001/95/CE / Directive 2001/95/EC
- Decisión de la Comisión 2015/681/CE / Decision of Commission 2015/681/EC

*El sistema de fabricación esta gestionado y controlado según ISO 9001:2015*

**Cumple con los requerimientos del Decreto Frances N.º 95-937 del 1995/08/24 / Comply with the requeriment of France law N. 95-937 dated 1995/08/24**

**Cumple con los requerimientos del Decreto Español N.º 339/2014 del 2014/05/09 / Comply with the requeriment of Spanish law N.º 339/2014 dated 2014/05/09**


**Cumple con las siguientes normas internacionales / The following international standards :**

- EN ISO 4210 (1 al 9):2014

**Persona autorizada para elaborar el expediente técnico / Authorized person to elaborate the technical file:**


Nombre / Name	: Aitor Juaristi
Dirección / Address	: Polígono Industrial Goitondo s/n 48269, Mallabia (Bizkaia) - Spain

Orbea S. Coop. Ltda



Aitor Juaristi  
Quality Manager  
08/09/2020

Orbea S. Coop.  
P. I. Goitondo 48269 Mallabia (Bizkaia) - Spain  
Tel.: + 34 943 171 950 - Fax: + 34 943 174 397  
orbea@orbea.com - www.orbea.com






**DECLARACIÓN DE CONFORMIDAD CE  
EC DECLARATION OF CONFORMITY**

**El fabricante / The manufacturer:** Orbea S. Coop. Ltda  
Polígono Industrial Goitondo s/n  
48269, Mallabia (Bizkaia) - Spain

**Declara que los siguientes productos / Declares that the following products:**

Descripción / Description	: Bicicleta
Marca / Make	: ORBEA
Modelos / Models	: MX 12

**Año de construcción / Year of manufacture :** 2020 and 2021

**Cumple con las siguientes normas internacionales / The following international standards :**

- EN 71-1:2014+A1:2018 Seguridad de los juguetes Parte 1 "Propiedades Mecánicas y Físicas" // Safety of Toys. Part 1 "Mechanical and Physical Properties".
- EN 71-2:2011+A1:2014 Seguridad de los juguetes Parte 2 "Inflamabilidad" // Safety of Toys. Part 2 - "Flamability".
- EN 71-3:2019 Seguridad de los juguetes Parte 1 "Migración de Ciertos Elementos" // Safety of Toys. Part 3 "Migration of Certain elements".

**Persona autorizada para elaborar el expediente técnico / Authorized person to elaborate the technical file:**

Nombre / Name	: Aitor Juaristi
Dirección / Address	: Polígono Industrial Goitondo s/n 48269, Mallabia (Bizkaia) - Spain

Orbea S. Coop. Ltda



Aitor Juaristi  
Quality Manager  
20/11/2020

Orbea S. Coop.  
P. I. Goitondo 48269 Mallabia (Bizkaia) - Spain  
Tel.: + 34 943 171 950 - Fax: + 34 943 174 397  
orbea@orbea.com - www.orbea.com



## 10 ADDITIONAL INFORMATION

ORBEA participates actively on facebook and Twitter with our fantastic global community of riders. Looking to find spots to ride or plan a vacation? Someone will have the answers:

### FACEBOOK

[www.facebook.com/OrbeaBicycles](http://www.facebook.com/OrbeaBicycles)

### TWITTER

[www.twitter.com/Orbea/](http://www.twitter.com/Orbea/)

### YOUTUBE

Visit our Orbea Channel on You Tube for a variety of helpful setup and tech videos:

[www.youtube.com/user/OrbeaBicycles](http://www.youtube.com/user/OrbeaBicycles)

### INSTAGRAM

[www.instagram.com/orbea](http://www.instagram.com/orbea)

### ORBEA CONTENT

View and download photos, videos and documents.

[content.orbea.com/us-en/](http://content.orbea.com/us-en/)

### BLOG ORBEA

[www.orbea.com/es-es/blog/](http://www.orbea.com/es-es/blog/)

### YOUR ORBEA DEALER

Our dealers are experts and should be able to assist you with setting up and maintaining your Orbea bicycle. A complete listing of Orbea dealers and distributors can be located on our website:

[www.orbea.com/us-en/dealers/?country=INT](http://www.orbea.com/us-en/dealers/?country=INT)

### CONTACT

Access Orbea's contact details and form at:

[www.orbea.com/es-es/contacto](http://www.orbea.com/es-es/contacto)

USA:

[www.orbea.com/us-en/contact/](http://www.orbea.com/us-en/contact/)



# ÍNDICE

<b>01 INTRODUCCIÓN</b>	<b>38</b>
Leyenda de símbolos	
<b>02 GARANTÍA ORBEA</b>	<b>40</b>
<b>03 MANTENIMIENTO</b>	<b>42</b>
Periodo de mantenimiento de los componentes	
Recambios	
Después de un golpe o impacto	
<b>04 ADVERTENCIA DE USO</b>	<b>45</b>
Uso previsto	
<b>05 GEOMETRÍA Y ERGONOMÍA</b>	<b>48</b>
<b>06 ESPECIFICACIONES TÉCNICAS</b>	<b>50</b>
<b>07 MONTAJE Y REPUESTOS</b>	<b>52</b>
Dirección	
Ejes y pata de cambio	
Piecerío de cuadro	
Tija digit	
Manillar	
Guía cadena-cubre cadena	
Estabicyclo mx16	
Guarda barro	
Pata de cabra	
Portabidón	
Cableado	
<b>08 SUSPENSIONES</b>	<b>69</b>
<b>09 DECLARACIÓN DE CONFORMIDAD</b>	<b>70</b>
<b>10 INFORMACIÓN ADICIONAL</b>	<b>72</b>

# 01 INTRODUCCIÓN

Este manual técnico contiene información importante de tu bicicleta sobre su uso, mantenimiento y repuestos. Léelo con atención.

Este documento es un suplemento del Manual General de Usuario de bicicletas y componentes Orbea, que describe de forma más detallada el uso apropiado y ajuste de los componentes generales de las bicicletas para una circulación y operación seguras. Puedes ver y descargar el Manual de Usuario, así como el resto de manuales técnicos de productos Orbea, de nuestra página web:

[www.orbea.com/es-es/soporte/manuales](http://www.orbea.com/es-es/soporte/manuales)

Puedes consultar la información relevante de uso, mantenimiento y características de los componentes de otros fabricantes montados en nuestras bicicletas, como ruedas, manillares, sistemas de asistencia al pedaleo, horquillas de suspensión, etc, en la web del fabricante en cuestión o a través de su distribuidor en tu país.





## LEYENDA DE SÍMBOLOS


A lo largo de este manual técnico, se utilizan varios símbolos que detallan instrucciones y advertencias de uso, mantenimiento y montaje. Presta atención a estos símbolos para evitar situaciones peligrosas y asegurar el uso y montaje correcto de todos los componentes.

El significado de estos símbolos se explica a continuación. En este manual, puede que el símbolo aparezca acompañado únicamente de la instrucción relevante para el componente en que describe. Lee la siguiente información con atención para entender su significado.

### INSTRUCCIONES DE SEGURIDAD

 **PELIGRO:** Situación peligrosa que, si no se evita, provocará lesiones graves o incluso la muerte.

 **ADVERTENCIA:** Situación peligrosa que, si no se evita, puede causar lesiones graves o incluso la muerte.

 **ATENCIÓN:** Situación peligrosa que, de no evitarse, podría provocar lesiones leves o moderadas.

**AVISO** Situación no relacionada con lesiones físicas. Información relevante.

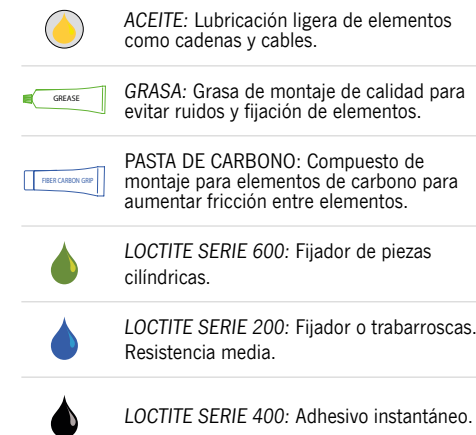
Los símbolos **PELIGRO** y **ADVERTENCIA** siempre implican un riesgo de accidente si no se toman medidas para evitar la situación que describen. Un accidente circulando con una bicicleta siempre puede conllevar riesgo de lesiones graves o incluso de muerte. En este manual no siempre se repetirá el riesgo de muerte cuando aparezcan estos símbolos, ya que el riesgo se detalla en este punto.

### HERRAMIENTAS



**PARES DE APRIETE:** El par de apriete correspondiente (en newton/metro) aparece indicado debajo del símbolo de la herramienta a usar para el elemento que describe.

### TIPO DECOMPUESTO



## 02 GARANTÍA ORBEA

Nuestro esfuerzo continuo y diario por ofrecer la máxima calidad en nuestras bicicletas nos permite brindar la siguiente garantía y condiciones de cobertura:

### GARANTÍA LEGAL

Orbea ofrece al propietario original de la bicicleta Orbea, horquilla rígida o el componente OC una garantía legal de 2 años desde el momento de la compra del artículo, o el periodo estipulado como garantía legal en el país de compra.

Esta garantía cubre todos los productos de Orbea frente a defectos de fabricación y/o falta de conformidad y garantiza la reparación o sustitución del producto defectuoso sin coste adicional para el cliente afectado. Igualmente, esta garantía cubre también los defectos de pintura, barniz y corrosión de todos los cuadros y horquillas rígidas que montamos en nuestras bicicletas por el periodo especificado en el párrafo anterior de esta garantía.

Esta garantía no cubre en ningún caso los daños derivados de un uso inadecuado, caídas o accidentes o falta de mantenimiento, así como el deterioro habitual de las piezas de desgaste tales como, a título meramente informativo y no limitativo: retenes, rodamientos, cinta de manillar, radios, cubiertas, sillines, etc.

Para conocer la descripción completa de las condiciones de la cobertura y la garantía legal, visita:

[www.orbea.com/es-es/garantia](http://www.orbea.com/es-es/garantia)

### GARANTÍA DE POR VIDA ORBEA

Como complemento a la garantía legal, Orbea ofrece al comprador original de la bicicleta, siempre que haya registrado su producto en el sitio web de Orbea en los 30 días siguientes a la compra, la garantía comercial de por vida Orbea, que cubre los cuadros y horquillas rígidas que montamos en nuestras bicicletas sin límite temporal frente a defectos de fabricación y conformidad de los materiales.

Esta garantía amplía el periodo original de cobertura de los defectos de pintura, barniz y corrosión de los cuadros y horquillas rígidas durante un año más al final del periodo de garantía legal.

La garantía comercial de por vida Orbea sólo cubre cuadros y horquillas rígidas, no componentes OC.

Para conocer la descripción completa de las condiciones de la garantía de por vida, visita:

[www.orbea.com/es-es/garantia/#garantia-deporvida-orbea](http://www.orbea.com/es-es/garantia/#garantia-deporvida-orbea)

## REGISTRA TU BICICLETA

Para beneficiarte de la ampliación de la garantía de por vida Orbea, debes registrar tu bicicleta en los 30 días siguientes a su compra en:

[www.orbea.com/es-es/acceso-registro?from=register-plate/](http://www.orbea.com/es-es/acceso-registro?from=register-plate/)

### 01. REGISTRA TU CUENTA

### 02. REGISTRA TU MATRÍCULA

### 03. DONDE ENCONTRAR TU MATRÍCULA



## PROCESO DE RECLAMACIONES DE GARANTÍA

Todas las reclamaciones de garantía deben ser procesadas a través de un distribuidor autorizado Orbea, quien realizará el diagnóstico inicial y remitirá a Orbea o al fabricante del componente toda la documentación necesaria para realizar un diagnóstico completo de la reclamación en cuestión. El distribuidor informará al propietario del estado del proceso y de la decisión sobre la reclamación de garantía por Orbea o el fabricante del componente.

Te recomendamos que siempre acudas al distribuidor donde compraste tu bicicleta para tramitar una reclamación de garantía, o a aquel que elegiste durante el proceso de compra de una bicicleta que te fue entregada directamente en tu domicilio. En caso de no poder acudir al distribuidor original, puedes comprobar la lista de distribuidores autorizados en nuestra web o contactar con Orbea para que te indiquemos el distribuidor al que acudir.

[www.orbea.com/es-es/distribuidores/?country](http://www.orbea.com/es-es/distribuidores/?country)

[www.orbea.com/es-es/contacto/](http://www.orbea.com/es-es/contacto/)

## 03 MANTENIMIENTO

Los productos Orbea son cuidadosamente diseñados para ser duraderos, eficientes y fáciles de mantener. Los cuadros y horquillas de carbono y aluminio son extremadamente resistentes a la corrosión.

Sin embargo, tu bicicleta necesita un mantenimiento periódico de sus componentes para asegurar su correcto funcionamiento, seguridad y longevidad.

### MANTÉN LIMPIA TU BICICLETA

Limpia tu bicicleta con agua y jabón suave de manera regular para mantenerla como el primer día y poder comprobar el estado del cuadro y sus componentes. No utilices agua a presión, ya que podría dañar componentes como los rodamientos o los tubos del cuadro.

Los desengrasantes a base de cítricos son biodegradables y resultan muy eficaces para eliminar la grasa de los componentes de la transmisión y la cadena.



La suciedad acumulada puede dificultar la inspección visual de los componentes y ocultar daños que podrían potencialmente producir averías o accidentes.

### AVISO

La suciedad acumulada provoca el desgaste prematuro de los componentes, y puede incluso dañar el cuadro de la bicicleta en zonas como alojamientos de rodamientos y partes móviles. Los daños por falta de limpieza y mantenimiento no están contemplados por las coberturas de garantía.

### MANTÉN LUBRICADA TU TRANSMISIÓN

Una vez hayas limpiado tu bicicleta, lubrica la transmisión, concretamente la cadena. Utiliza la mínima cantidad necesaria para lubricar los eslabones, limpiando cualquier exceso para evitar que éste atraiga la suciedad y provoque que la transmisión no funcione correctamente y el desgaste prematuro de los componentes.



Evita el uso de lubricantes en aerosol para que éstos no se depositen en las superficies de frenado. Siempre comprueba los frenos tras lubricar la transmisión.

### INSPECCIONA TU BICICLETA ANTES DE CADA SALIDA

Realiza una inspección rápida antes de cada salida para verificar que tu bicicleta se encuentra en óptimo estado de funcionamiento. Podrías encontrar pequeños problemas que se pueden convertir en incidencias importantes durante el trayecto.

**CUADRO:** Inspecciona el cuadro y la horquilla en busca de daños o grietas. No debe presentar ruidos extraños. Ante cualquier daño en el cuadro, evita el uso de la bicicleta y contacta con tu distribuidor autorizado para una revisión.

**CADENA:** Debe estar limpia y lubricada, y la transmisión no debe producir ruidos fuera de lo normal.

**FRENOS:** Verifica que los frenos funcionan correctamente y de manera segura. Verifica los pares de apriete de los componentes.

**CUBIERTAS:** Comprueba el desgaste de las cubiertas y busca cortes en la banda de rodadura o en los laterales, si encuentras daños, reemplaza la cubierta. Comprueba que la presión de los neumáticos es la adecuada.

**RUEDAS:** Comprueba que las ruedas giran de manera suave y que no tiene desviaciones laterales. Tira ligeramente de la rueda hacia los lados para comprobar que no haya ningún juego lateral en los rodamientos. Verifica que no haya ningún radio roto o flojo. Comprueba que los ejes o cierres rápidos están apretados de manera segura y al par de apriete correcto.

**DIRECCIÓN:** Acciona el freno delantero y mueve la parte frontal de la bicicleta hacia adelante y hacia atrás ejerciendo presión en el manillar con la rueda delantera en el suelo. Comprueba que no haya ruidos extraños o movimiento de la dirección, que podría indicar que los rodamientos están gastados o la dirección no está apretada correctamente. Con la dirección ajustada correctamente, comprueba que la dirección gira de manera suave.

**RODAMIENTOS:** Los rodamientos (eje de pedalier, puntos de giro del basculante, dirección, ruedas, etc) son elementos de desgaste que deben ser comprobados periódicamente para garantizar su correcto funcionamiento. Rodamientos en mal estado pueden dañar los componentes

en los que están instalados. Condiciones meteorológicas adversas aceleran el desgaste de los rodamientos. Rodamientos que presentan juego o que no giran suavemente deben ser reemplazados inmediatamente. Ante cualquier duda, consulta con tu distribuidor autorizado.

### AVISO

Daños en componentes como el cuadro, ruedas de tu bicicleta, etc, derivados de falta de mantenimiento y sustitución de los rodamientos no están cubiertos por las condiciones de la garantía.



No seguir las indicaciones descritas en estos puntos y utilizar una bicicleta que presenta los síntomas descritos puede provocar accidentes y lesiones graves.



**PARES DE APRIETE.** Siempre comprueba los pares de apriete e instala los componentes descritos en este manual siguiendo las indicaciones del par de apriete. Sigue las indicaciones de pares de apriete para componentes de otros fabricantes instalados en tu bicicleta Orbea. No observar estas indicaciones puede conducir a la falla de los componentes, accidentes e incluso la muerte.

## PERIODOS DE MANTENIMIENTO

### AVISO

Los periodos de mantenimiento de los componentes indicados a continuación son orientativos, y dependen en gran medida de factores como las condiciones meteorológicas de uso de la bicicleta (condiciones adversas reducen considerablemente la vida de los componentes y los tiempos de mantenimiento), limpieza de la bicicleta y sus componentes (componentes con suciedad acumulada se desgastan más rápidamente) y uso (un uso más exigente de la bicicleta requerirá periodos de mantenimiento más cortos).

Para componentes de otras marcas montados en bicicletas Orbea, puedes comprobar

los periodos de mantenimiento recomendados u obligatorios en la web del fabricante o contactando con el distribuidor de la marca en tu país.

### AVISO

Daños en los componentes derivados del no cumplimiento de los periodos de mantenimiento podría ocasionar daños que no estarían cubiertos por las condiciones de garantía de Orbea o del fabricante del componente.



El no cumplimiento de los periodos de mantenimiento puede producir daños en los componentes que deriven en averías y accidentes.

### DIRECCIÓN:

- Inspección del funcionamiento antes de cada uso de la bicicleta.
- Desmontaje e inspección manual de los rodamientos cada 6 meses de uso.

### PEDALIER:

- Inspección del funcionamiento antes de cada uso de la bicicleta.
- Desmontaje e inspección manual de los rodamientos cada 6 meses de uso.

### TRANSMISIÓN:

- Inspección del funcionamiento antes de cada uso de la bicicleta.
- Inspección regular del desgaste de la cadena cada 500 km. Una cadena gastada más allá de las recomendaciones del fabricante debe ser sustituida para evitar daños al resto de componentes de la transmisión. No observar las indicaciones de desgaste del fabricante podría requerir la sustitución del resto de elementos de la transmisión.

### RUEDAS:

- Inspección del funcionamiento antes de cada uso de la bicicleta.
- Desmontaje y revisión manual de los rodamientos y todos los componentes cada 6 meses.

### AMORTIGUADORES Y HORQUILLAS DE SUSPENSIÓN:

- Inspección del funcionamiento antes de cada uso de la bicicleta.

- Revisión y mantenimiento completo cada 125 horas o anual (lo que antes ocurra) por el distribuidor autorizado por el fabricante.

#### TIJAS TELESCÓPICAS:

- Inspección del funcionamiento antes de cada uso de la bicicleta.
- Revisión y mantenimiento completo cada 125 horas o anual (lo que antes ocurra) por el distribuidor autorizado por el fabricante

#### CABLES Y FUNDAS DE CAMBIO:

- Inspección del funcionamiento antes de cada uso de la bicicleta.
- Sustitución de cables de cambio cada 6 meses o un año, dependiendo de las condiciones de uso de la bicicleta.

#### FRENOS:

- Inspección del funcionamiento y del desgaste de las pastillas o zapatas de freno antes de cada uso de la bicicleta.
- Comprobación del desgaste de los discos de freno y los cables o líneas hidráulicas cada 6 meses o un año, dependiendo de las condiciones de uso de la bicicleta.
- Purgado de las líneas hidráulicas cada año.



Algunas de estas comprobaciones y mantenimientos están más allá del conocimiento mecánico de la mayoría de usuarios de bicicletas. Si no estás cualificado para realizar los mantenimientos necesarios, acude siempre a un distribuidor Orbea para el mantenimiento de tu bicicleta y sus componentes. No realizar los mantenimientos de manera adecuada puede resultar en averías y accidentes de graves consecuencias.

#### AVISO

Mantenimientos realizados de manera incorrecta pueden producir daños en los componentes que no están cubiertos por las condiciones de la garantía.

## RECAMBIOS

Utiliza siempre recambios originales Orbea o del fabricante del componente en cuestión.



El uso de repuestos no originales puede producir daños que deriven en averías y accidentes de graves consecuencias.



La instalación de alguno de los repuestos en este manual técnico está más allá del conocimiento mecánico de la mayoría de usuarios de bicicletas. Si no estás cualificado para instalar estos repuestos, acude siempre a un distribuidor Orbea para el mantenimiento de tu bicicleta y sus componentes. No instalar los repuestos de manera adecuada puede resultar en averías, accidentes y lesiones graves.

#### AVISO

La instalación de repuestos no originales pueden producir daños en tu bicicleta que no están cubiertos por las condiciones de garantía.

## DESPUÉS DE UN GOLPE O IMPACTO

Caerse de la bicicleta es inherente al ciclismo. Si sufres un accidente con tu bicicleta Orbea, asegúrate de que te encuentras bien y pide atención médica si es necesario. Si no has sufrido lesiones, deberás comprobar el estado de tu bicicleta antes de continuar.

### INSPECCIONA EL CUADRO Y LOS COMPONENTES DE LA BICICLETA PARA COMPROBAR SI HAN SUFRIDO DAÑOS

Si detectas algún problema, no sigas circulando con la bicicleta.

#### PUNTOS A REVISAR

Inspecciona el cuadro y la horquilla para identificar si cualquiera de estos componentes se ha roto o doblado. Si detectas alguna rotura o grieta, debes dejar de utilizar la bicicleta inmediatamente. En cuadros de carbono, busca

grietas o zonas blandas en el carbono, si detectas alguno de estos síntomas, debes dejar de utilizar la bicicleta inmediatamente.



Los materiales utilizados en cuadros y horquillas de carbono son rígidos y fuertes, pero ante una sobrecarga o impacto, las fibras no se doblan, se rompen. Un impacto lo suficientemente fuerte en este material podría producir daños que, aunque no visibles a primera vista, podrían producir un fallo de los materiales en el futuro. Ante cualquier duda de las consecuencias de una caída o accidente, contacta con tu distribuidor Orbea para un correcto diagnóstico de los materiales.

Comprueba la transmisión y las ruedas para asegurarte de que los componentes funcionen correctamente. Si descubres algún daño en los componentes, deja de utilizar la bicicleta inmediatamente.

Incluso en el caso de que no observes daño alguno, presta la máxima atención al sonido de tu bicicleta cuando vuelvas a montar en ella. Las roturas y otros problemas pueden provocar ruidos poco habituales. Si identificas algún ruido poco habitual, deja de usar la bicicleta inmediatamente y contacta con tu distribuidor Orbea para un correcto diagnóstico de la misma.

### LLEVA TU BICICLETA ORBEA A UN DISTRIBUIDOR AUTORIZADO PARA SOMETERLA A UNA INSPECCIÓN PROFESIONAL

Algunas de las consecuencias de una caída o accidente sólo pueden detectarse desmontando la bicicleta completamente para comprobar la presencia de roturas u otras señales de deterioro.



Un golpe o impacto pueden ocasionar graves desperfectos en tu bicicleta y en los componentes de ésta., provocando que fallen o se desgasten prematuramente. Los fallos pueden producirse de manera repentina y sin previo aviso, causando la pérdida de control de la bicicleta, lesiones graves o incluso la muerte.

# 04 ADVERTENCIAS DE USO

## TAMAÑO MÁXIMO DE CUBIERTA

Este manual técnico especifica el tamaño máximo de cubierta que puede ser montado en el cuadro, siempre respeta estas indicaciones al instalar una cubierta en tu bicicleta.

Sin embargo, las medidas reales de circunferencia y ancho de cubierta pueden cambiar de un fabricante a otro. Al instalar una cubierta diferente a la que montaba tu bicicleta Orbea originalmente, comprueba que la distancia entre la parte superior y los laterales de la cubierta es de al menos 6 mm entre la misma y cualquier parte del cuadro.

#### AVISO

Daños en el cuadro o los componentes debidos al uso de una cubierta que no observe estas medidas no están cubiertas por las condiciones de la garantía.

## INSERCIÓN MÍNIMA DE LA TIJA DE SILLÍN



Siempre respeta las indicaciones de inserción mínima de la tija a utilizar. No respetar estas indicaciones puede producir esfuerzos en los materiales más allá de las condiciones para las que fueron diseñados y producir roturas no cubiertas por las condiciones de garantía, así como accidentes que pueden producir lesiones graves.

En cuadros Junior equipados con tija Digit, utiliza siempre el piecero suministrado para evitar que el niño/a pueda quitar la tija del cuadro y que ésta rote fuera de alineación.

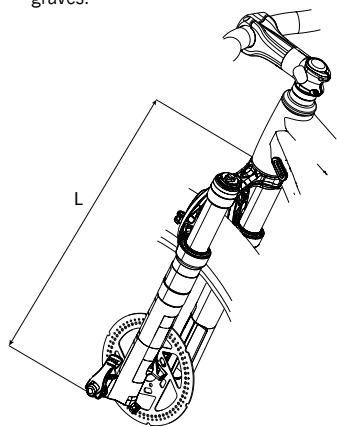


## LONGITUD MÁXIMA DE HORQUILLA (AXLE-TO-CROWN)

Respetar siempre la longitud máxima de horquilla listada en la sección de especificaciones técnicas de este manual. La longitud máxima de horquilla se refiere a la distancia entre el eje de la horquilla y la parte inferior de la pipa de dirección (axle-to-crown).



No respetar esta medida e instalar horquillas con una longitud mayor que la máxima especificada puede forzar el cuadro más allá de las características para las que fue diseñado, pudiendo producir fallos en el material que podrían ser causa de accidentes y lesiones graves.

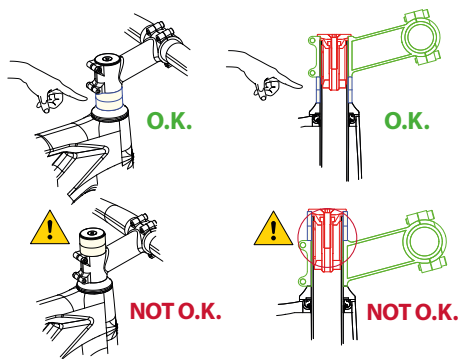


## MÁXIMO NÚMERO DE SEPARADORES DE DIRECCIÓN.



Nunca uses más separadores de dirección debajo de la potencia que los indicados para el cuadro. Consulta las tablas de especificaciones para saber el número máximo de separadores de dirección que admite un cuadro Orbea. Instalar más separadores que los permitidos puede forzar los materiales más allá del uso para los que fueron diseñados, lo que puede provocar accidentes y lesiones graves.

## POSICIÓN DE LA ARAÑA DENTRO DEL TUBO DE LA HORQUILLA. SEPARADORES DE DIRECCIÓN POR ENCIMA DE LA POTENCIA.



Nunca instales separadores de dirección por encima de la potencia. Colocar separadores por encima de la potencia, especialmente en horquillas con el tubo de dirección de carbono, puede provocar que el expansor de dirección dentro del tubo de la horquilla quede posicionado por encima del límite inferior de la potencia, lo que puede forzar los materiales más allá del uso para los que fueron diseñados, potencialmente provocando accidentes y lesiones graves.



La longitud del tubo de dirección de la horquilla siempre debe ser el adecuado para la posición de la potencia en la horquilla. La potencia siempre debe instalarse en el tubo de dirección de la horquilla de manera que ambos tornillos de amarre de la zona posterior de la potencia estén posicionados sobre el tubo de dirección de la horquilla. Nunca montes la potencia de tal manera que el tornillo superior de amarre de la potencia al tubo de dirección quede más arriba del borde superior del tubo de dirección de la horquilla. Esto forzará los materiales más allá del uso para los que fueron diseñados, potencialmente provocando accidentes y lesiones graves.

## USO PREVISTO

### MX12

ASTM Condition 0: Las bicicletas para niños/as bajo esta condición deben ser utilizadas siempre bajo supervisión parental y de manera acorde a las habilidades del niño/niña. Estos modelos están diseñados sólo para uso recreacional. Evitar uso extremo.

No utilizar en lugares con tráfico y usar siempre casco. Respetar los límites de edad/peso/estatura.

Edad: 2-4 años.

Estatura: 80-105cm (31-41 inch).

Peso máximo: 20 kg (44 lb).



### MX20

ASTM Condition 0: Las bicicletas para niños/as bajo esta condición deben ser utilizadas siempre bajo supervisión parental y de manera acorde a las habilidades del niño/niña. Estos modelos están diseñados sólo para uso recreacional. Evitar uso extremo.

Estos modelos están diseñados sólo para uso recreacional. Evitar uso extremo.

No utilizar en lugares con tráfico y usar siempre casco.

Respetar los límites de edad/peso/estatura.

Edad: 4-8 años.

Estatura: 110-135 cm (43-53 inch).

Peso máximo: 40 kg (86 lb).



### MX16

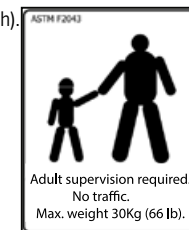
ASTM Condition 0: Las bicicletas para niños/as bajo esta condición deben ser utilizadas siempre bajo supervisión parental y de manera acorde a las habilidades del niño/niña. Estos modelos están diseñados sólo para uso recreacional. Evitar uso extremo.

No utilizar en lugares con tráfico y usar siempre casco. Respetar los límites de edad/peso/estatura.

Edad: 3-6 años.

Estatura: 95-120 cm (37.4-47 inch).

Peso máximo: 30 kg (66 lb).



### MX24

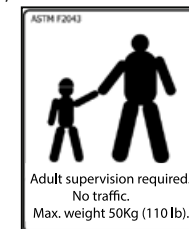
ASTM Condition 0: Las bicicletas para niños/as bajo esta condición deben ser utilizadas siempre bajo supervisión parental y de manera acorde a las habilidades del niño/niña. Estos modelos están diseñados sólo para uso recreacional. Evitar uso extremo.

No utilizar en lugares con tráfico y usar siempre casco. Respetar los límites de edad/peso/estatura.

Edad: 6-10 años.

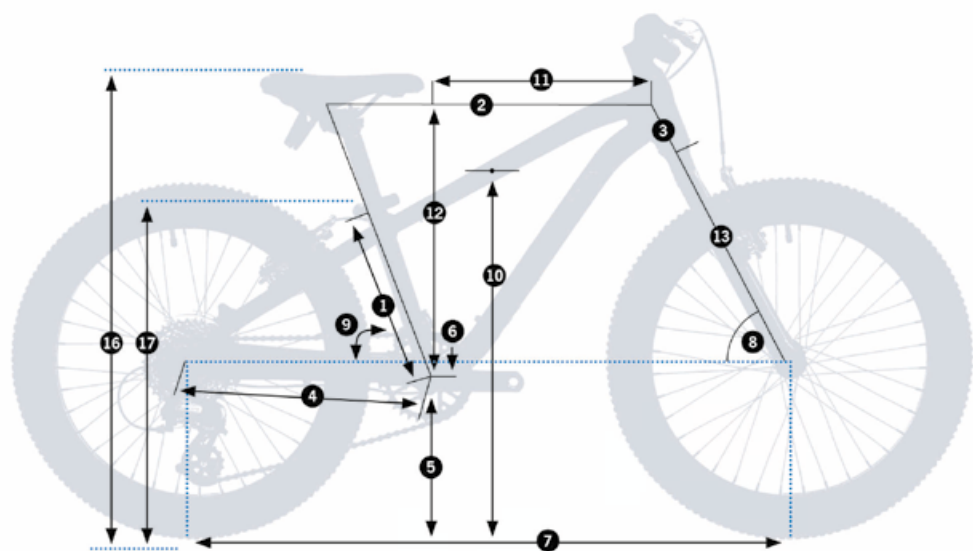
Estatura: 125-150 cm (49-59 inch).

Peso máximo: 50 kg (110 lb).



## 05 GEOMETRÍA Y ERGONOMÍA

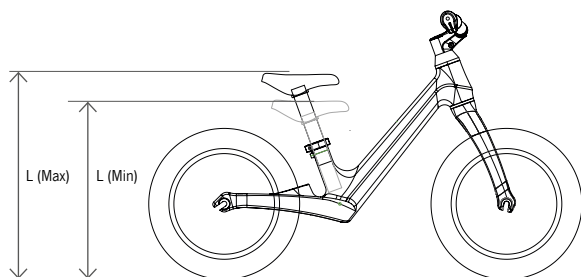
### MX JUNIOR



### ALTURAS MÁXIMAS/MÍNIMAS DE SILLÍN CON TIJA DIGIT

Las alturas máximas y mínimas de sillín en la gama MX Junior se dan desde el suelo a la parte superior del sillín.

Las cotas se refieren a la posición mínima y máxima extendida de la tija para cada cuadro con la medida de tija Digit especificada para ese modelo.



	MX12 DIGIT 180MM	MX16 DIGIT 250MM	MX20 DIGIT 250MM	MX24 DIGIT 300MM
Altura mínima de sillín	365mm*	512mm*	585mm*	664mm*
altura máxima de sillín	430mm*	603mm*	720mm*	810mm*

\* (+/-10mm)

TALLA	12	16	20	24
1 - Tubo de sillín (C-T)	130	205	257	300
2 - Tubo horizontal (EFF)	315	386	450	515
3 - Tubo frontal	80	90	100	100
4 - Vaina	230	295	345	390
5 - Altura eje pedalier	-	185	236	285
6 - Caída eje pedalier	-	15	18	30
7 - Distancia entre ejes	561	734	863	975
8 - Ángulo frontal	70	68	69	69
9 - Ángulo del sillín	70	73	73	73
10 - Altura base	-	379	491	590
11 - Largo del cuadro	-	286	320	361
12 - Altura del cuadro	-	328	424	502
13 - Longitud horquilla	220	254	347	418
14 - Altura máxima sillín	430	603	720	812
15 - Altura mínima sillín	365	512	585	664

ALTURA (CM)	ALTURA (IN)	TALLA*
80-105	31"-41"	12
95-120	37.4"-47"	16
110-135	43"-53"	20
125-150	49"-59"	24

\*Consulta los rangos de peso y estatura de la gama MX Junior en la sección Advertencias de Uso-Usado Previsto o en la tabla de especificaciones técnicas de este manual.

# 06 ESPECIFICACIONES TÉCNICAS

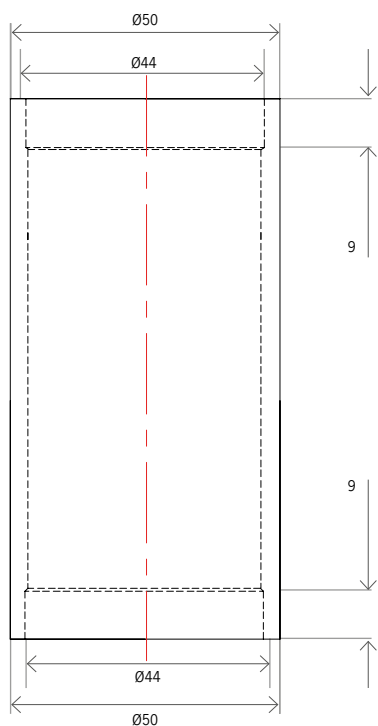
## MX JUNIOR

	MX12	MX16	MX20	MX24
<b>Material del cuadro</b>	MAGNESIO	ALUMINIO 6061	ALUMINIO 6061	ALUMINIO 6061
<b>Material de la horquilla (Horquillas rígidas)</b>	MAGNESIO	ACERO HI-TEN	ALUMINIO 6061 (Team) ACERO HI-TEN (Dirt/Park)	ALUMINIO 6061 (Team) ACERO HI-TEN (Dirt/Park)
<b>Tipo de frenos</b>	-	V-BRAKE	V-BRAKE Compatible con freno de disco IS 160mm	V-BRAKE Compatible con freno de disco IS 160mm
<b>Recorrido horquilla (Modelos con horquilla de suspensión)</b>	-	-	80mm	80mm
<b>Longitud máxima de horquilla (Axle-to-crown)</b>	220mm	254mm	347mm	418mm
<b>Dirección</b>	1-1/8" Semi integrada	1-1/8" Semi integrada	1-1/8" Semi integrada	1-1/8" Semi integrada
<b>Máximo número separadores dirección</b>	0	0	0	0
<b>Pedaler</b>	-	BSA 68mm	BSA 68mm	BSA 68mm
<b>Longitud eje pedaler cuadrado</b>	-	110.5mm	110.5mm	115mm
<b>Diámetro de la tija</b>	27.2mm	27.2mm	27.2mm	27.2mm
<b>Diámetro abrazadera de tija</b>	31.8mm	31.8mm	31.8mm	31.8mm
<b>Tamaño de rueda</b>	12"	16"	20"	24"
<b>Ancho máximo de cubierta</b>	2.2"	2.0"	2.2"	2.2"
<b>Longitud buje trasero (O.L.D)</b>	100mm	113mm	135mm	135mm
<b>Longitud buje delantero (O.L.D)</b>	100mm	100mm	100mm	100mm
<b>Estándar eje trasero</b>	QR (con tornillos de seguridad)	QR (con tornillos de seguridad)	QR	QR

	MX12	MX16	MX20	MX24
<b>Estándar eje delantero</b>	QR (con tornillos de seguridad)	QR (con tornillos de seguridad)	QR	QR
<b>Cableado de freno</b>	-	EXTERNO (Funda completa)	EXTERNO (Funda completa)	EXTERNO (Funda completa)
<b>Cableado de cambio</b>	-	-	INTERNO EN TD EXTERNO EN BASE (Funda completa)	INTERNO EN TD EXTERNO EN BASE (Funda completa)
<b>Portabidón</b>	NO	1 En parte inferior tubo diagonal Orbea Junior 350ml	1	1
<b>Compatible con guardabarros completo</b>	NO	NO	SI	SI
<b>Desviador</b>	NO	NO (Single speed)	NO Sólo 1X	NO Sólo 1X
<b>Compatibilidad transmisiones</b>	-	SINGLE SPEED	HASTA 10V MTB & LEISURE	HASTA 10V MTB & LEISURE
<b>Compatible guía cadena</b>	-	NO Cubrecadena	SI	SI
<b>Compatible pata de cabra</b>	NO	SI	SI	SI
<b>Compatible portabultos</b>	NO	NO	NO	NO
<b>Rango de edad (años)</b>	2-4	3-6	4-8	6-10
<b>Rango de estatura (cm)</b>	80-105	95-120	110-135	125-150
<b>Límite de peso (kg)</b>	20	30	40	50
<b>Uso recomendado</b>	RECREACIONAL SUPERVISADO (Sin tráfico)	RECREACIONAL SUPERVISADO (Sin tráfico)	RECREACIONAL SUPERVISADO (Sin tráfico)	RECREACIONAL SUPERVISADO (Sin tráfico)

## 07 MONTAJE Y REPUESTOS DIRECCIÓN

DIMENSIONES  
DE LA PIPA DE DIRECCIÓN  
MX12, MX16, MX20, MX24



ESPECIFICACIONES  
DE LA DIRECCIÓN  
MX12, MX16, MX20, MX24

	Tipo	Medida
<b>SUPERIOR</b>	Semi integrada	1-1/8"
<b>INFERIOR</b>	Semi integrada	1-1/8"

### RECAMBIOS

#### 01 DIRECCIÓN 1 1/8"-1 1/8" SEMI INTEGRADA

Compatible con: MX12, MX16, MX20, MX24

ART N°: X2550000	CANT.
	1



**AVISO** El conjunto de dirección incluye la tapa de la potencia redonda para montajes con potencia estándar.

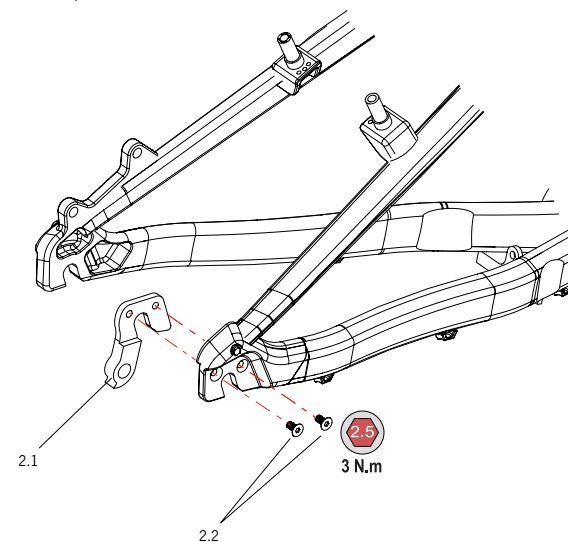
Para montajes con conjunto de manillar-potencia integrada OC, el repuesto para la tapa de la potencia está incluido en el artículo X2530000. Ver sección Manillar de este manual.

## EJES Y PATA DE CAMBIO

ESPECIFICACIONES  
DE LAS PUNTERAS

	MX12	MX16	MX20	MX24
<b>DELANTERAS</b>	QR 100mm Con tornillo de seguridad	QR 100mm Con tornillo de seguridad	QR 100mm	QR 100mm
<b>TRASERAS</b>	QR 100mm Con tornillo de seguridad	QR 113mm Con tornillo de seguridad	QR 135mm	QR 135mm

PATA DE CAMBIO. MX20, MX24



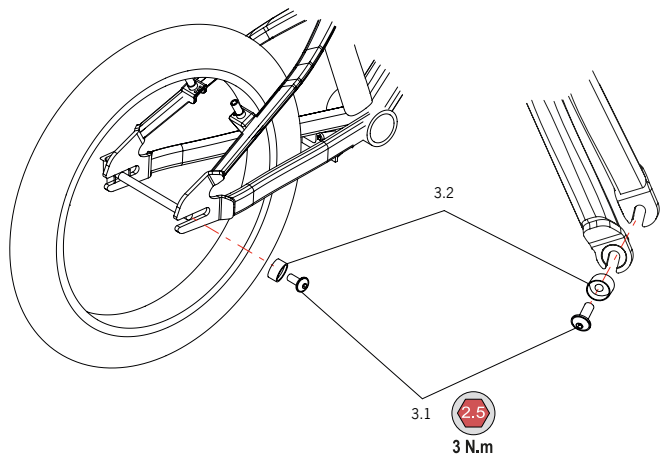
#### 02 PATA DE CAMBIO QR. MX20, MX24

ART N°: X2590000	CANT.
2.1 PATA DE CAMBIO STD QR	1
2.2 TORNILLO M4x8 AVELLANADO	2





**⚠** Realiza siempre el par de apriete recomendado por Orbea.

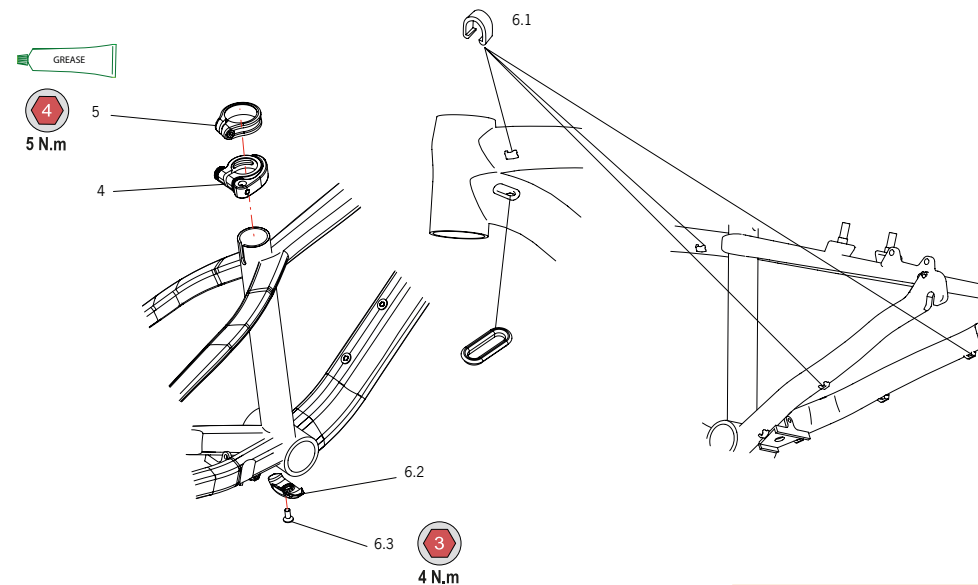
## TORNILLO AMARRE RUEDA MX12, MX16




### 03 KIT TORNILLOS AMARRE RUEDA MX12, MX16


ART N°: X2540000	CANT.
 3.1 TORNILLO M6x20	2
 3.2 ARANDELA DENTADA M6 JUNIOR	2

## PIECERÍO CUADRO




 Realiza siempre el par de apriete recomendado por Orbea.


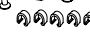
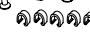
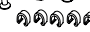
### 04 ABRAZADERA TIJA 31.8 CIERRE RÁPIDO CON PROTECTOR GOMA. NEGRA MX12, MX16, MX20, MX24. CON TIJA DIGIT,

ART N°: X2510000	CANT.
	1

### 05 ABRAZADERA TIJA 31.8 CON TORNILLO. NEGRA MX20, MX24. CON TIJA FIJA.

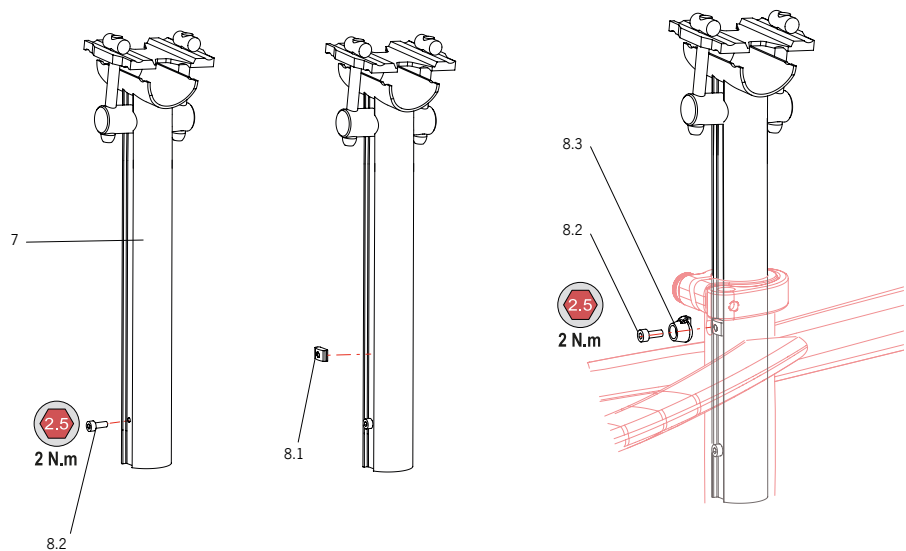
ART N°: X2520000	CANT.
	1

### 06 KIT GUÍA CABLES MX20, MX24

ART N°: X2610000	CANT.
 6.1 GUÍA CABLES CLIP	5
 6.2 GUÍA CABLES BB MX20, MX24	1
 6.3 TORNILLO M5x12	1
 6.4 TAPÓN GOMA 22x8 AGUJERO	1

# TIJA DIGIT

## MONTAJE Y RECAMBIOS TIJA DIGIT JUNIOR



**⚠** Realiza siempre el par de apriete recomendado por Orbea.

### 07 TIJA DIGIT JUNIOR 27.2 (No incluye abrazadera de tija)

TIJA DIGIT 27.2X180MM (MX12)	X2501800
TIJA DIGIT 27.2x250mm (MX16, MX20)	X2502500
TIJA DIGIT 27.2x300mm (MX24)	X2503000

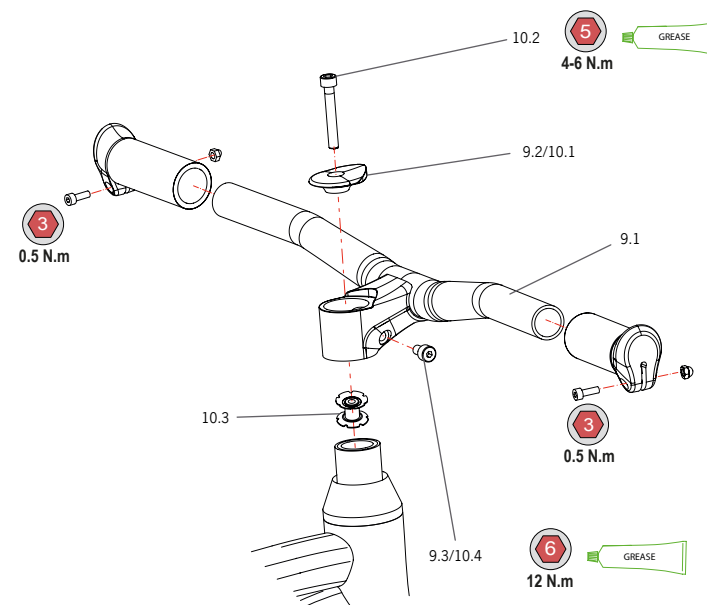
	CADA CÓDIGO CONTIENE:	CANT.
	7.1 TIJA DIGIT 27.2 ALLOY SBO (Medida elegida)	1
	7.2 CUÑA-GUÍA DIGIT	1
	7.3 TORNILLO M3x8	2
	7.4 TUERCA EXTERNA TIJA DIGIT	1

### 08 PIECERÍO TIJA DIGIT JUNIOR 27.2 MX12, MX16, MX20, MX24 (No incluye abrazadera de tija)

ART N°: X2490000	CANT.
8.1 CUÑA-GUÍA DIGIT	1
8.2 TORNILLO M3x8	2
8.3 TUERCA EXTERNA TIJA DIGIT	1

# MANILLAR

## MANILLAR+POTENCIA INTEGRADA OC JUNIOR



**⚠** Realiza siempre el par de apriete recomendado por Orbea.

### 09 MANILLAR+POTENCIA ORBEA JUNIOR 21

MANILLAR 400MM + POTENCIA (MX12)	X2480000
MANILLAR 450mm + POTENCIA (MX16)	X2560000
MANILLAR 540mm + POTENCIA (MX20, MX24)	X2600000

	CADA CÓDIGO CONTIENE:	CANT.
	9.1 MANILLAR+POTENCIA ORBEA JUNIOR 21 (Medida elegida)	1
	9.2 TAPA DE LA POTENCIA	1
	9.3 TORNILLO DE APRIETE DE LA POTENCIA	1

### 10 KIT PIECERÍO MANILLAR+POTENCIA ORBEA JUNIOR 21 MX12, MX16, MX20, MX24

ART N°: X2530000	CANT.
10.1 TAPA DE LA POTENCIA	1
10.2 TORNILLO M6x30 PRECARGA DIRECCIÓN	1
10.3 ARAÑA 1 1/8"	1
10.4 TORNILLO APRIETE DE LA POTENCIA	1

## INSTALACIÓN DE LOS TAPONES DE MANILLAR EN BICICLETAS JUNIOR

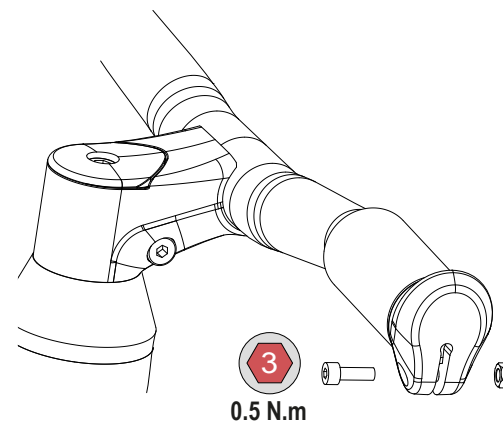
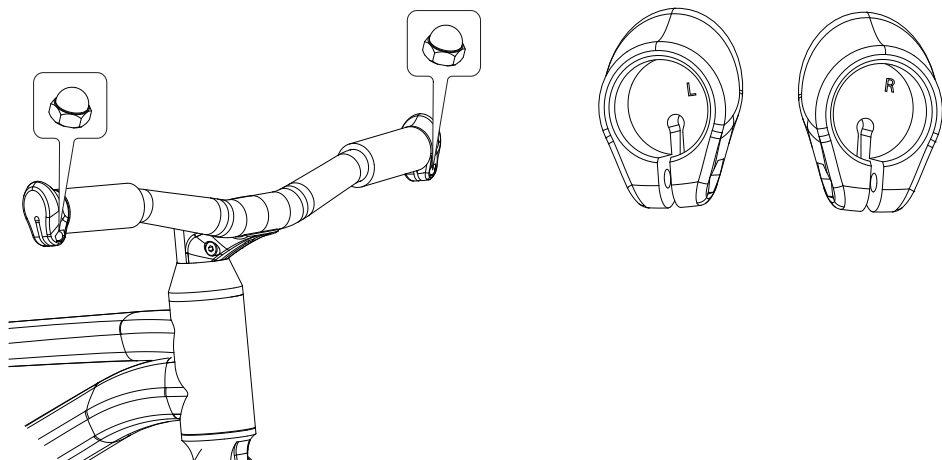
**⚠** Los manillares deben llevar siempre instalados los tapones de seguridad para evitar lesiones con el extremo del manillar en caso de caída.

Si los tapones del manillar están deteriorados o se han perdido, reemplaza esta pieza o instala un nuevo puño compatible con extremos cerrados antes de volver a usar la bicicleta.

### MÉTODO CORRECTO DE INSTALACIÓN Y USO DE LOS TAPONES ORBEA JUNIOR

1. Los tapones provistos por Orbea son específicos para cada lado del manillar. Comprueba que están instalados correctamente. El tapón del lado izquierdo tiene en su interior la letra L y el del lado derecho la letra R.

Una vez instalados en el manillar, el tornillo de fijación debe instalarse desde la parte posterior de la bicicleta, quedando la tuerca en la parte frontal del tapón.

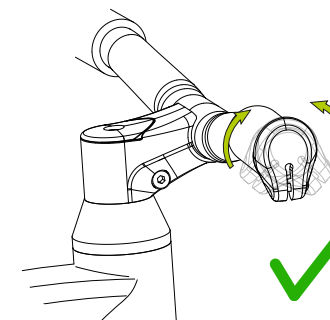
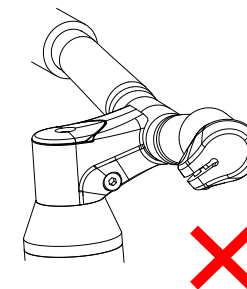


2. Los tapones deben posicionarse en el manillar de manera que la ranura quede orientada hacia abajo.

Una vez posicionados correctamente, fija los tapones con un par de apriete de 0.5 N.m

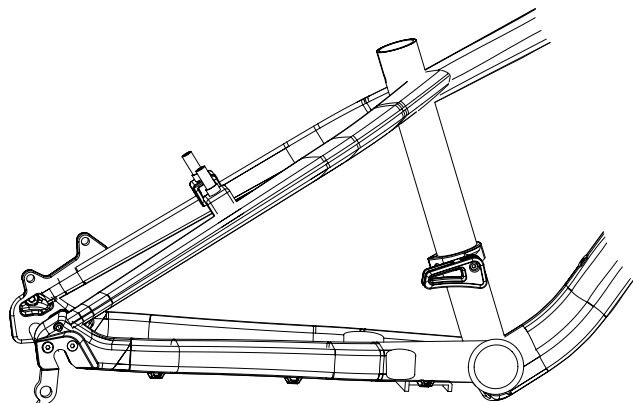
3. Con el par de apriete especificado, es normal que los tapones giren sobre el manillar si se aplica suficiente fuerza. Ésta es una medida de seguridad integrada en su diseño para evitar daños a los componentes en caso de caída.

Antes de cada uso, o tras un golpe o caída, comprueba que los tapones están posicionados correctamente (con la ranura orientada hacia abajo).




## GUÍA CADENA-CUBRE CADENA

### GUÍA CADENA OC JUNIOR MX20, MX24



#### 24 GUÍA CADENA ORBEA JUNIOR 1X. MONTAJE EN TUBO DE SILLÍN

Incluye adaptador para tubos de sillín 31.8 y 34.9

ART N°: X2620000	CANT.
 24.1 GUÍA CADENA ORBEA JUNIOR 1X	1
24.2 AMARRE TUBO SILLÍN	
24.3 ADAPTADOR 31.8-24.9	

## CUBRE CADENA HEBIE CHAINLOOPER 71 LINKS. MX16

El cubre cadena Hebie ChainLooper está sólo disponible como artículo de sustitución por rotura o reclamación de garantía.

El conjunto es exclusivo para su montaje en MX16 con relación de transmisión 32Tx18T y cadena KMC de 71 eslabones. Se entrega con cadena.


Consulta la documentación del fabricante aquí.

[https://www.chainlooper.de/pdf/2018\\_11\\_14%20Technical%20Information%20Chainlooper%200357F32.PDF](https://www.chainlooper.de/pdf/2018_11_14%20Technical%20Information%20Chainlooper%200357F32.PDF)

Consulta el video de montaje del fabricante aquí:

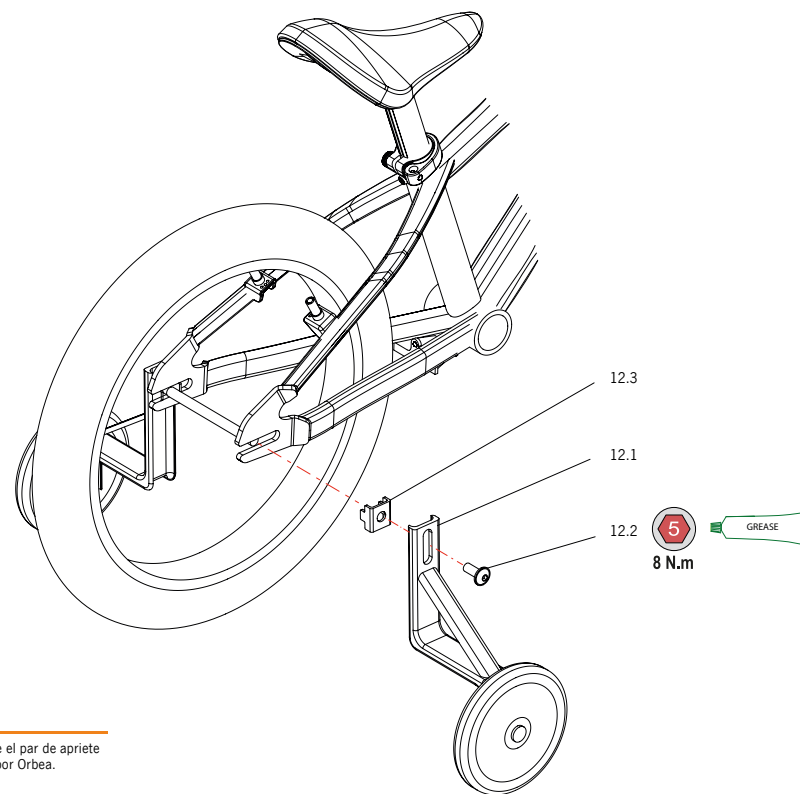
<https://www.youtube.com/watch?v=FHYjMHRnCSQ>


#### 11 CUBRE CADENA HEBIE CHAINLOOPER 32X18T. 71 LINKS MX16

CONSULTA DISTRIBUIDOR ORBEA	CANT.
<b>INCLUYE:</b>	
SOPORTE CUBRE CADENA CHAINLOOPER 32x18T	
 CUBRE CADENA CHAINLOOPER 71 LINKS	1
CADENA KMC 1X 71 LINKS	1


## ESTABICICLO MX16

### MONTAJE ESTABICICLO MX16



 Realiza siempre el par de apriete recomendado por Orbea.

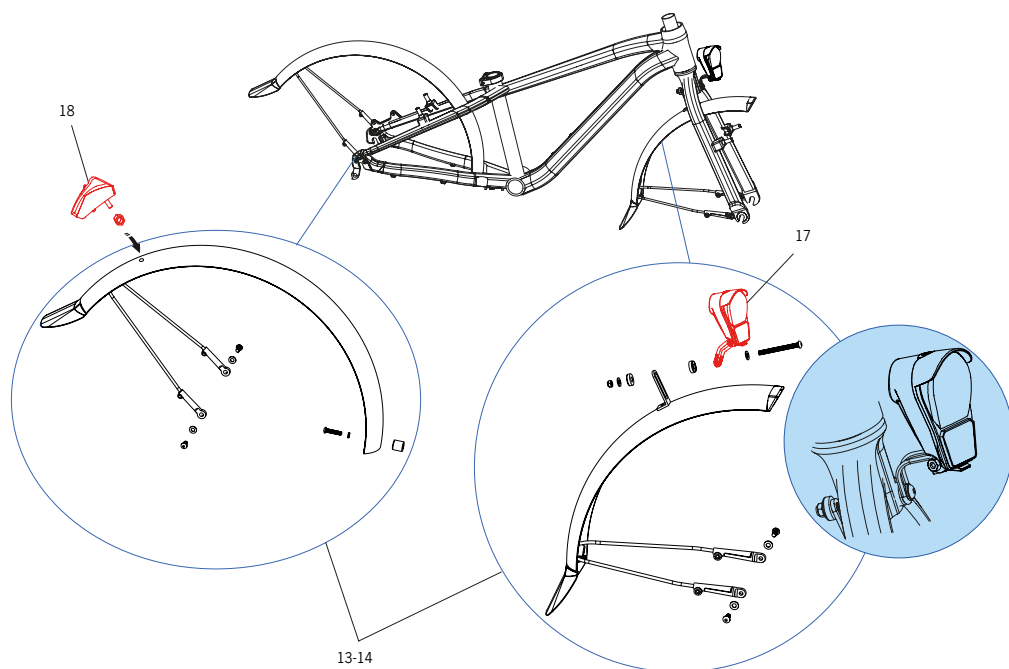
#### 12 ESTABICICLO MX16

ART N°: Y023	CANT.
 SOPORTE ESTABICICLO+RUEDA	2
TORNILLO SEGURIDAD M6x30	2
PLETINA ESTABICICLO	2



## GUARDABARROS

### MONTAJE GUARDABARROS COMPLETOS Y LUCES MX20



#### 13 JUEGO GUARDABARROS COMPLETO MX20 NEGRO



El juego de guardabarros completo de MX20 está disponible como artículo de sustitución a través de un distribuidor autorizado Orbea.

#### 14 KIT PIECERÍO AMARRE GUARDABARROS MX20 (No incluye hojas de guardabarros)

ART N°: X2650000



#### 17 FARO DELANTERO SPANINGA GALEO XB



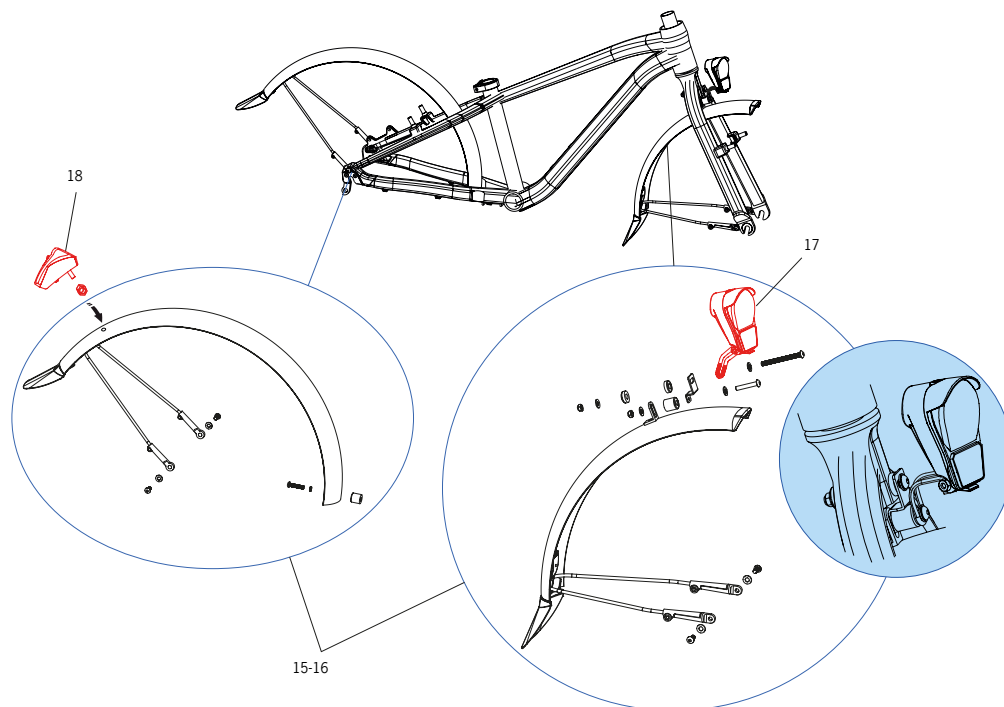
**ESPECIFICACIONES**  
1 LED  
4 LUX  
Alimentación: 2 pilas AA 1.5V  
Maxima autonomía: 40h

#### 18 FARO TRASERO SPANINGA PIXEO XB Montaje en guardabarros



**ESPECIFICACIONES**  
1 LED  
8 Candels  
Alimentación: 2 pilas AAA 1.5V  
Maxima autonomía: 120h

### MONTAJE GUARDABARROS COMPLETOS Y LUCES MX24



#### 15 JUEGO GUARDABARROS COMPLETO MX24 NEGRO



El juego de guardabarros completo de MX24 está disponible como artículo de sustitución a través de un distribuidor autorizado Orbea.

#### 16 KIT PIECERÍO AMARRE GUARDABARROS MX24 (No incluye hojas de guardabarros)

ART N°: X2650000



#### 17 FARO DELANTERO SPANINGA GALEO XB



**ESPECIFICACIONES**  
1 LED  
4 LUX  
Alimentación: 2 pilas AA 1.5V  
Maxima autonomía: 40h

#### 18 FARO TRASERO SPANINGA PIXEO XB Montaje en guardabarros



**ESPECIFICACIONES**  
1 LED  
8 Candels  
Alimentación: 2 pilas AAA 1.5V  
Maxima autonomía: 120h

## GUARDABARROS DE VINILO DE HORQUILLA

### 25 GUARDABARROS VINILO HORQUILLA SUSPENSIÓN MX20, MX24

ART N°: X2630001	NEG-ROJ	1
ART N°: X2630002	MOR-MEN	1
ART N°: X2630003	GRA-MOS	1



Se fija a las botellas y el puente de la horquilla mediante bridas (no incluidas)

### 26 GUARDABARROS VINILO HORQUILLA RÍGIDA MX16, MX20, MX24

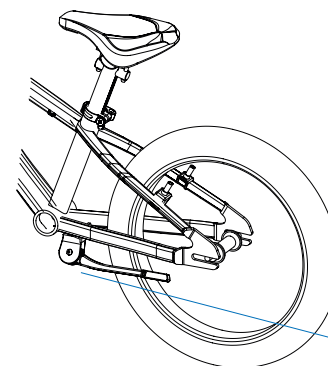
ART N°: X2580001	NEG-ROJ	1
ART N°: X2580002	MOR-MEN	1
ART N°: X2580003	GRA-MOS	1



Cada código incluye el g/barros del color seleccionado y los tornillos M5x15 (x2) de amarre a la horquilla

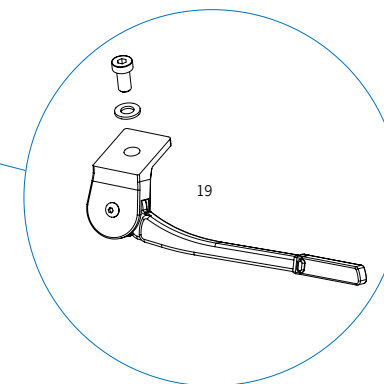
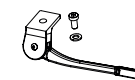
## PATA DE CABRA MX16, MX20, MX24

### PATA DE CABRA MX16

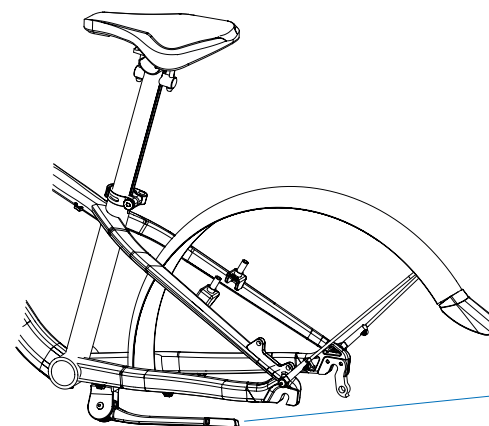


### 19 PATA DE CABRA MX16

ART N°: Y033

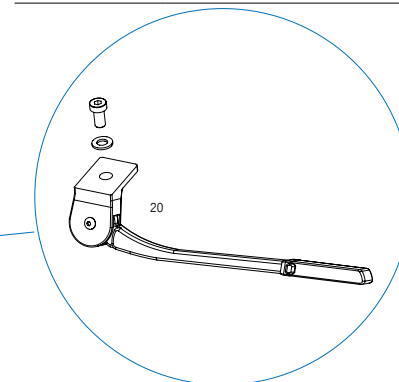
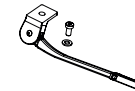


### PATA DE CABRA MX20-24



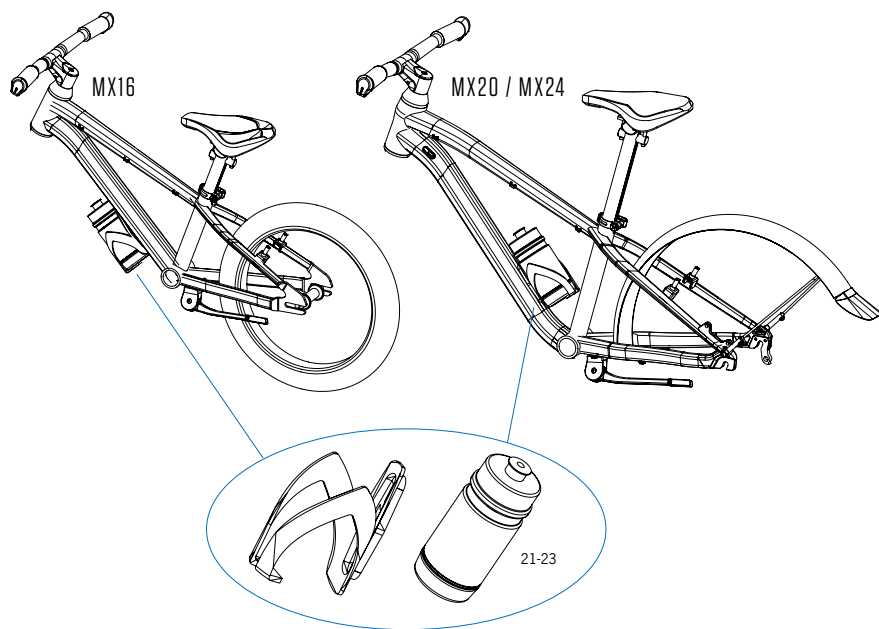
### 20 PATA DE CABRA MX20-24

ART N°: Y024



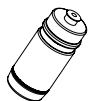
## BIDÓN MX16, MX20, MX24

MONTAJE PORTABIDÓN JUNIOR 350ml  
EN MX16, MX20 Y MX24



### 21 BIDÓN ORBEA JUNIOR 350ML

ART N°: Y025



### 22 PORTABIDÓN ORBEA JUNIOR

ART N°: Y026



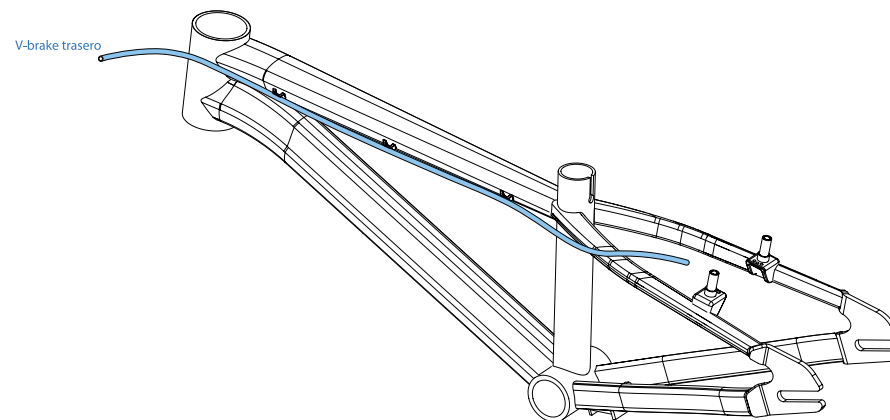
### 23 PORTABIDÓN-BIDÓN ORBEA JUNIOR 350ML

ART N°: Y027

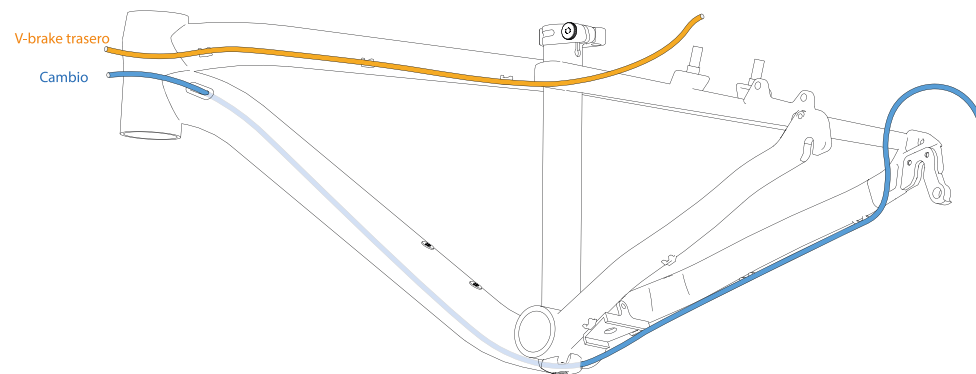


## CABLEADO

CABLEADO DE FRENO MX16



CABLEADO DE CAMBIO Y FRENOS MX20 / MX24



## 08 SUSPENSIONES

Consulta el manual de las horquillas Suntour en la documentación del fabricante. Busca el modelo de horquilla en el documento para conocer las recomendaciones de ajuste y mantenimiento.

[www.srsuntour.com/generalforkmanual/](http://www.srsuntour.com/generalforkmanual/)

# 09 DECLARACIÓN DE CONFORMIDAD

**DECLARACIÓN DE CONFORMIDAD CE**  
**EC DECLARATION OF CONFORMITY**

**El fabricante / The manufacturer:** Orbea S. Coop. Ltda  
Polígono Industrial Goitondo s/n  
48269, Mallabia (Bizkaia) - Spain

**Declara que los siguientes productos / Declares that the following products:**

Descripción / Description	: Bicicleta
Marca / Make	: ORBEA
Modelos / Models	: ALMA, AVANT, CARPE, COMFORT, DUDE, GROW, LAUFEY, MX 27, MX 29, MX 24, MX 20, MX 16, KATU, LOKI, OIZ, ORCA, ORDU, OCCAM, RALLON y SPORT.

**Año de construcción / Year of manufacture :** 2020 and 2021

**Cumplen con las siguientes Directivas Europeas / Fulfills the following European Directives:**

- Directiva 2001/95/CE / Directive 2001/95/EC
- Decisión de la Comisión 2015/681/CE / Decision of Commission 2015/681/EC

*El sistema de fabricación esta gestionado y controlado según ISO 9001:2015*

**Cumple con los requerimientos del Decreto Frances N.º 95-937 del 1995/08/24 / Comply with the requeriment of France law N. 95-937 dated 1995/08/24**

**Cumple con los requerimientos del Decreto Español N.º 339/2014 del 2014/05/09 / Comply with the requeriment of Spanish law N.º 339/2014 dated 2014/05/09**

**Cumple con las siguientes normas internacionales / The following international standards :**

- EN ISO 4210 (1 al 9):2014

**Persona autorizada para elaborar el expediente técnico / Authorized person to elaborate the technical file:**

Nombre / Name	: Aitor Juaristi
Dirección / Address	: Polígono Industrial Goitondo s/n 48269, Mallabia (Bizkaia) - Spain

Orbea S. Coop. Ltda

Aitor Juaristi  
Quality Manager  
08/09/2020

Orbea S. Coop.  
 P. I. Goitondo 48269 Mallabia (Bizkaia) - Spain  
 Tel.: + 34 943 171 950 - Fax: + 34 943 174 397  
 orbea@orbea.com - www.orbea.com

**DECLARACIÓN DE CONFORMIDAD CE**  
**EC DECLARATION OF CONFORMITY**

**El fabricante / The manufacturer:** Orbea S. Coop. Ltda  
Polígono Industrial Goitondo s/n  
48269, Mallabia (Bizkaia) - Spain

**Declara que los siguientes productos / Declares that the following products:**

Descripción / Description	: Bicicleta
Marca / Make	: ORBEA
Modelos / Models	: MX 12

**Año de construcción / Year of manufacture :** 2020 and 2021

**Cumple con las siguientes normas internacionales / The following international standards :**

- EN 71-1:2014+A1:2018 Seguridad de los juguetes Parte 1 "Propiedades Mecánicas y Físicas" // Safety of Toys. Part 1 "Mechanical and Physical Properties".
- EN 71-2:2011+A1:2014 Seguridad de los juguetes Parte 2 "Inflamabilidad" // Safety of Toys. Part 2 - "Flamability".
- EN 71-3:2019 Seguridad de los juguetes Parte 1 "Migración de Ciertos Elementos" // Safety of Toys. Part 3 "Migration of Certain elements".

**Persona autorizada para elaborar el expediente técnico / Authorized person to elaborate the technical file:**

Nombre / Name	: Aitor Juaristi
Dirección / Address	: Polígono Industrial Goitondo s/n 48269, Mallabia (Bizkaia) - Spain

Orbea S. Coop. Ltda

Aitor Juaristi  
Quality Manager  
20/11/2020

Orbea S. Coop.  
 P. I. Goitondo 48269 Mallabia (Bizkaia) - Spain  
 Tel.: + 34 943 171 950 - Fax: + 34 943 174 397  
 orbea@orbea.com - www.orbea.com

## 10 INFORMACIÓN ADICIONAL

ORBEA participa activamente en Facebook y Twitter con su fantástica comunidad global de ciclistas. ¿Busca algún lugar para andar en bici o pasar sus vacaciones? Seguro que alguien le ofrece ideas interesantes:

### FACEBOOK

[www.facebook.com/OrbeaBicycles](http://www.facebook.com/OrbeaBicycles)

### TWITTER

[www.twitter.com/Orbea/](http://www.twitter.com/Orbea/)

### YOUTUBE

Visite el canal de Orbea en YouTube; en él encontrará diversos videos técnicos y de configuración de gran utilidad:

[www.youtube.com/user/OrbeaBicycles](http://www.youtube.com/user/OrbeaBicycles)

### INSTAGRAM

[www.instagram.com/orbea](http://www.instagram.com/orbea)

### ORBEA CONTENT

Vea y descargue fotos, videos y documentos.

[content.orbea.com/us-en/](http://content.orbea.com/us-en/)

### BLOG ORBEA

[www.orbea.com/es-es/blog/](http://www.orbea.com/es-es/blog/)

### DISTRIBUIDORES ORBEA

Nuestros distribuidores poseen una elevada especialización, por lo que le ayudarán a configurar y mantener su bicicleta Orbea. Puede encontrar una relación completa de distribuidores Orbea en nuestro sitio web:

[www.orbea.com/us-en/dealers/?country=INT](http://www.orbea.com/us-en/dealers/?country=INT)

### CONTACTO

Accede a nuestros datos y formulario de contacto en:

[www.orbea.com/es-es/contacto](http://www.orbea.com/es-es/contacto)

USA:

[www.orbea.com/us-en/contact/](http://www.orbea.com/us-en/contact/)



ORBEA

**ORBEA**

[WWW.ORBEA.COM](http://WWW.ORBEA.COM)